

# EU TYPE-EXAMINATION CERTIFICATE

Application of:  
*Council Directive 2014/33/EU, issued as "Lifts Directive"*

CERTIFICATE NO.: **17-GOT-LD-002**

THIS IS TO CERTIFY THAT THE PRODUCT

## Landing door locking device

IDENTIFICATION

### LO-30 and LO-30S

MANUFACTURED BY

### Hissmekano AB

AT

Reprovägen 7, 183 77 Täby, Sweden

complies with the requirements of the Lifts Directive 2014/33/EU.

LIMITATIONS

Any modifications made to the product shall immediately be reported to Kiwa Inspecta in order to examine whether this Certificate remains valid.


This Certificate is valid from: 2019-05-27


MÖLNDAL, 2019-05-27

**Kiwa Inspecta AB**

Notified Body No.: 0409



  
Jonas Axelsson  
Business Area Manager

  
Ulf Bengtsson  
Technical Reviewer

Notice: Any significant changes in design or construction of the product, or amendments to the Directive or Standards referenced above may render this receipt invalid.

## EU TYPE-EXAMINATION CERTIFICATE

CERTIFICATE NO.: 17-GOT-LD-002

### Certificate history

Revision	Description	Issue date
1.0	This is the original Certificate	2019-05-27

### Products covered by this Certificate

Product description	Product Name	Category	Product Group
A part of a complete locking device for hinged landing doors	LO-30	Lift safety component	Lifts
A complete locking device for hinged landing doors	LO-30S	Lift safety component	Lifts

### Limits of key parameters

Type AC or DC	Voltage	Rated Current
AC	230V	2A
DC	200V	2A

### Additional information

<p>There are two models of locking devices in this certificate, LO-30 and LO-30S.</p> <p>Landing door locking device type LO-30 does not by itself comply with the requirements of EN81-20:2014 5.3.10 Requirements common to devices for proving the locked condition and the closed condition of the landing door. For LO-30, additional means must be provided to comply with the requirements of 5.3.10.</p> <p>Landing door locking device type LO-30S fulfils the requirements of EN81-20:2014 5.3.10.</p> <p>The electric safety device shall not be activated unless the locking elements are engaged by at least 7 mm EN81-20:2014 5.3.9.1.2.</p> <p>Landing door locking device may only be mounted as instructed in "Montageanvisningar för Karmlås LO-30/LO-30S".</p>
---

### Applied Standards/Tests carried out

<p>EN 81-20:2014 Safety rules for the construction and installation of lifts - Lifts for the transport of persons and goods - Part 20: Passenger and goods passenger lifts.</p> <p>EN 81-50:2014 Safety rules for the construction and installation of lifts - Examinations and tests - Part 50: Design rules, calculations, examinations and tests of lift components</p>
--

### Test laboratory

Kiwa Inspecta AB
------------------

### Annexes of this Certificate

Annex No.	Description
1	LO-30
2	LO-30S

## EU TYPE-EXAMINATION CERTIFICATE

CERTIFICATE NO.: 17-GOT-LD-002

**The following documentation formed the basis for the assessment:**

Document No.	Name/Title	Version/Date
1	Technical construction file 17-GOT-LD-002 LO-30/LO-30S	2017-02-09

### **Terms and conditions**

The certificate is subject to the following terms and conditions:

- In case of damages caused by defective products, directive 85/374/eec, as amended, will apply
- The certificate is only valid for the product(s) listed above
- The certificate is concerned with the design of the product, only

### **The following may render this Certificate invalid:**

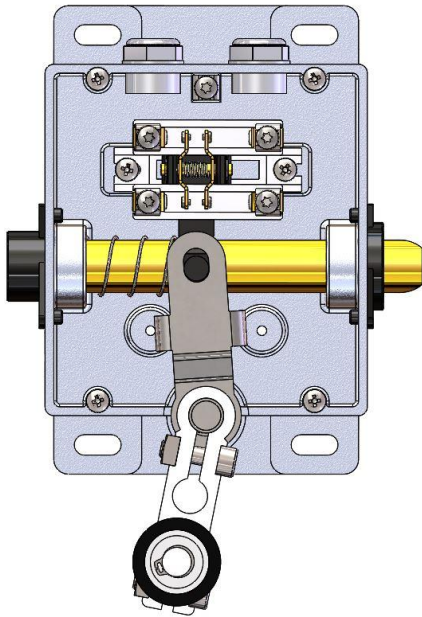
- Changes in the design or construction of the product(s)
- Changes or amendments to the referenced directive(s)
- Changes or amendments in the standard(s) which form the basis for documenting compliance with the requirements
- To keep it valid the product has to be subject to, random check according to Lifts Directive 2014/33/EU Annex IX, or a quality system, se Annex VI or VII.

**END OF CERTIFICATE**

# EU TYPE-EXAMINATION CERTIFICATE

CERTIFICATE NO.: 17-GOT-LD-002

## Annex No. 1 LO-30



## Annex No. 2 LO-30S

