

EU TYPE-EXAMINATION CERTIFICATE

Application of:
Council Directive 2014/33/EU, issued as "Lifts Directive"

CERTIFICATE NO.: **19-GOT-LD-004**

THIS IS TO CERTIFY THAT THE PRODUCT

Landing door locking device

IDENTIFICATION

LO-92 and LO-922

MANUFACTURED BY

Hissmekano AB

AT

Reprovägen 7, 183 77 Täby, Sweden

complies with the requirements of the Lifts Directive 2014/33/EU.

LIMITATIONS

Any modifications made to the product shall immediately be reported to Kiwa Inspecta in order to examine whether this Certificate remains valid.


This Certificate is valid from: 2019-12-09

MÖLNDAL, 2019-12-09

Kiwa Inspecta AB

Notified Body No.: 0409





Jonas Axelsson
Business Area Manager



Ulf Bengtsson
Technical Reviewer

Notice: Any significant changes in design or construction of the product, or amendments to the Directive or Standards referenced above may render this receipt invalid.

EU TYPE-EXAMINATION CERTIFICATE

CERTIFICATE NO.: 19-GOT-LD-004

Certificate history

Revision	Description	Issue date
1.0	This is the original Certificate	2019-12-09

Products covered by this Certificate

Product description	Product Name	Category	Product Group
A part of a complete locking device for hinged landing doors	LO-92	Lift safety component	Lifts
A complete locking device for hinged landing doors	LO-922	Lift safety component	Lifts

Limits of key parameters

Type AC or DC	Voltage	Rated Current
AC	230V	2A
DC	200V	2A

Additional information

<p>There are two models of locking devices in this certificate, LO-92 and LO-922.</p> <p>Landing door locking device type LO-92 does not by itself comply with the requirements of EN81-20:2014 5.3.10 Requirements common to devices for proving the locked condition and the closed condition of the landing door. For LO-92, additional means must be provided to comply with the requirements of 5.3.10.</p> <p>Landing door locking device type LO-922 fulfils the requirements of EN81-20:2014 5.3.10.</p> <p>The electric safety device shall not be activated unless the locking elements are engaged by at least 7 mm EN81-20:2014 5.3.9.1.2.</p> <p>Landing door locking device may only be mounted as instructed in "Montageanvisning LO-92 LO-922".</p>

Applied Standards/Tests carried out

<p>EN 81-20:2014 Safety rules for the construction and installation of lifts - Lifts for the transport of persons and goods - Part 20: Passenger and goods passenger lifts.</p> <p>EN 81-50:2014 Safety rules for the construction and installation of lifts - Examinations and tests - Part 50: Design rules, calculations, examinations and tests of lift components</p>
--

Test laboratory

Kiwa Inspecta AB

Annexes of this Certificate

Annex No.	Description
1	LO-92
2	LO-922

EU TYPE-EXAMINATION CERTIFICATE

CERTIFICATE NO.: 19-GOT-LD-004

The following documentation formed the basis for the assessment:

Document No.	Name/Title	Version/Date
1	Technical construction file 19-GOT-LD-004 LO-92/LO-922	2019-09-26

Terms and conditions

The certificate is subject to the following terms and conditions:

- In case of damages caused by defective products, directive 85/374/eec, as amended, will apply
- The certificate is only valid for the product(s) listed above
- The certificate is concerned with the design of the product, only

The following may render this Certificate invalid:

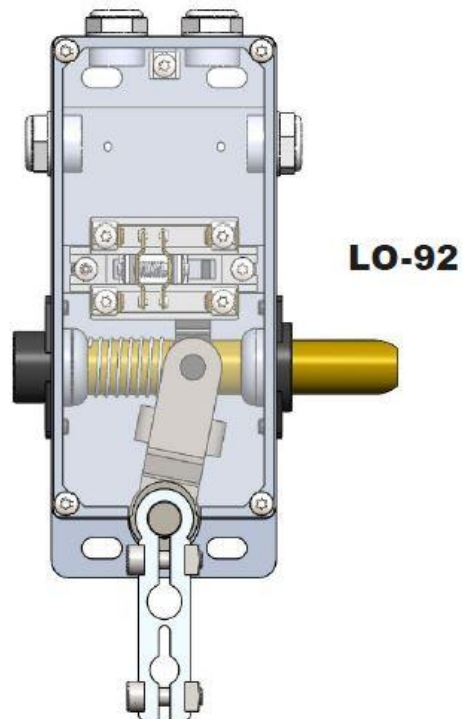
- Changes in the design or construction of the product(s)
- Changes or amendments to the referenced directive(s)
- Changes or amendments in the standard(s) which form the basis for documenting compliance with the requirements
- To keep it valid the product has to be subject to, random check according to Lifts Directive 2014/33/EU Annex IX, or a quality system, se Annex VI or VII.

END OF CERTIFICATE

EU TYPE-EXAMINATION CERTIFICATE

CERTIFICATE NO.: 19-GOT-LD-004

Annex No. 1 LO-92



Annex No. 2 LO-922

