



Door contact with positive break Extreme ES 14 AZ 1Ö 1,5m Extreme/double-sided lowered holes Material number: 1178871 (Material number old: 14966902)

Features/Options:

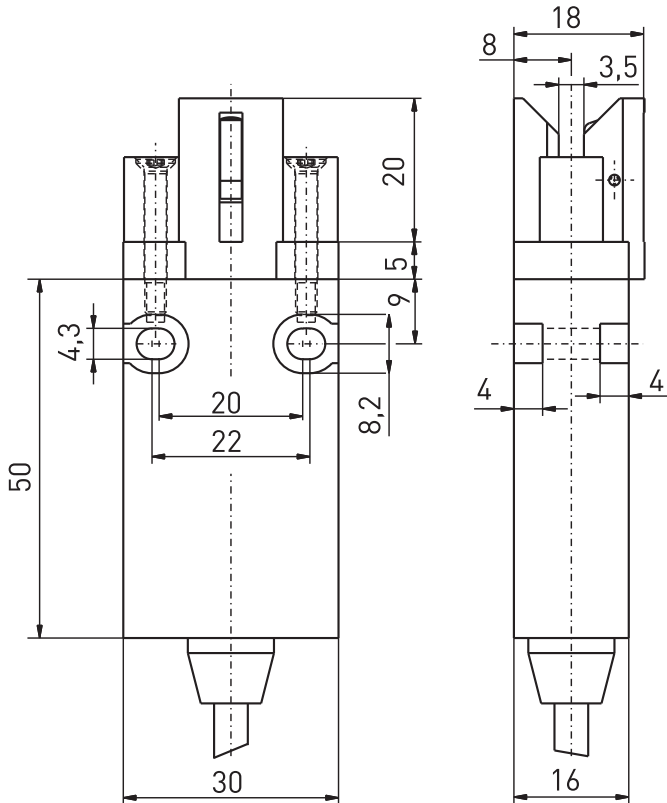
- High degree of protection IP 67
- Thermoplastic enclosure
- Double insulated \square
- Slow action \ominus , 1 NC contact

- With pre-wired cable
- Attention: Please state required international approvals with your order!

Notes

- The actuator is not included in the delivery of the switches

Dimensions



Technical data


Applied standards	EN 60947-5-1, EN ISO 13849-1, EN ISO 14119, EN 81-1, EN 81-2, EN 81-20, EN 81-50
Enclosure	thermoplastic, glass-fibre reinforced, impact resistant, self-extinguishing UL 94 V-0
Switch type	type 2
Coding level	low coding
Tightening torque	enclosure mounting screws: max. 1.5 Nm
Degree of protection	IP 67 to IEC/EN 60529
B_{10d} (10 % load)	2 million
T_M	max. 20 years
Contact material	silver
Switching system	slow action, positive break NC contacts \ominus
Switching elements	1 NC contact
Connection	pre-wired cable H03VV-F
Cable cross-section	2 x 0.75 mm ²
Cable length	1.5 m
Rated impulse withstand voltage U_{imp}	4 kV
Rated operating isolation voltage U_i	250 V
Conventional thermal current I_{the}	2 A
Rated operating current/voltage I_e/U_e	2 A/230 VAC; 0.25 A/230 VDC
Utilisation category	AC-15; DC-13

Errors and omissions excepted.



Door contact with positive break Extreme
ES 14 AZ 1Ö 1,5m Extreme/double-sided lowered holes
Material number: 1178871 (Material number old: 14966902)

Technical data

Short-circuit protection	2 A gG/gN fuse
Ambient temperature	-20 °C ... +65 °C
Mechanical life	> 1 million operations
Operation cycles	max. 1800/h
Repeat accuracy of switching points	± 0.1 mm
Contact opening	max. 2 x 2.5 mm
Actuating force	approx. 2 - 3.5 N
Approvals	TÜV SÜD  on request
Weight	120 g

Switching diagram

