

IMS 100 Pro

Technical data

FEATURES

- ▶ Prevents accidents
- ▶ Prevents damage to elevator doors
- ▶ Offers double safeguarding when combined with light curtain
- ▶ No need to configure the monitored area
- ▶ Automatic door recognition using TOF technology
- ▶ Extremely reliable object detection using TOF technology
- ▶ Ideal for both new facilities and modernization
- ▶ Entrance area monitoring reduces door-opening time
- ▶ Suitable for center and side opening applications



OPTICAL

Detection height	0.6 ... 2.5 m
Detection area at 2 m	200 mm × 900 mm
Min. object detection at 2 m	40 mm
Pixel	160 × 60
Detection offset from floor	300 mm
Wave length	850 nm

MECHANICAL

Dimensions (l × h × w)	132 × 36 × 34 mm
Housing material	Aluminum, PC
Enclosure rating	IP65
Temperature range	-20°C ... +60°C

ELECTRICAL

Supply voltage U _{sp}	24 VDC ±20%	
Max. / typ. current consumption at 24 VDC	500 mA / 200 mA	
Output	PNP	
Max. output load	120 mA, 100 nF	
Output logic	LOW = Object HIGH = No object	
Response time	350 ms	
Max. recalibration time	1.5 s	
Indication LED (red):	LED on	Object detected
	LED off	No object detected

CONNECTION CABLE AND ELECTRICAL CONNECTION

Length - sensor cable	0.5 m	
Length - connection cable	2.8 m	
Cable diameter	Ø 3.5 mm	
Material	PVC, black	
Connection	M8, 4-pin, Ø 10 mm	
Ferrite core	Diameter	Ø 16 mm
	Length	42 mm
Wires	AWG26	
• brown	U _{sp}	
• blue	GND (0 V)	
• black	Output	
• white	Time-out selector (18 s / 7 s or infinity [off])	

GENERAL

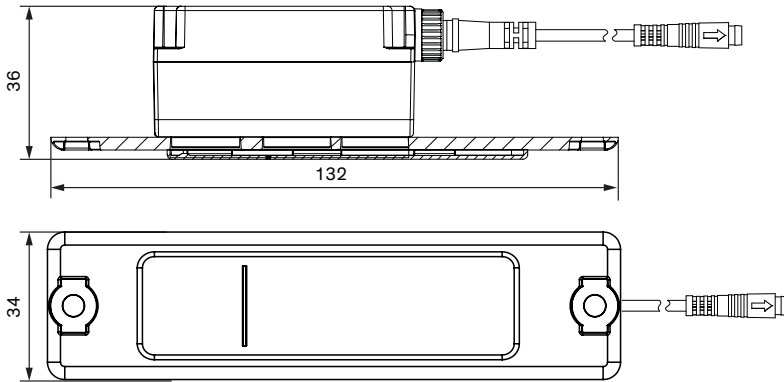
Eye safety	IEC 60825-1
EMC emission	EN 12015:2014
EMC immunity	EN 12016:2013
Vibration	IEC 60068-2-6:2007
Shock	IEC 60068-2-27:2008
Cable durability	IEC 60227-2:2003
RoHS	2011/65/EU
Certificates	CE, CSA



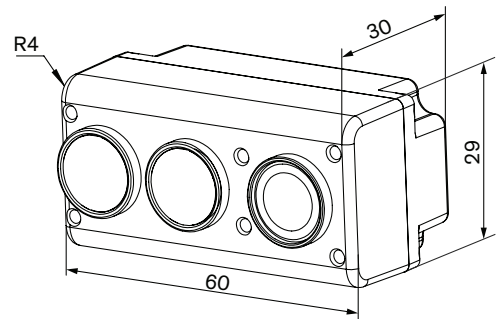
CEDES AG is certified according to ISO 9001: 2015.

Dimensions

All dimensions in mm
Proportions not to scale
(Ferrite on sensor cable not displayed)



Preassembled IMS 100 Pro sensor

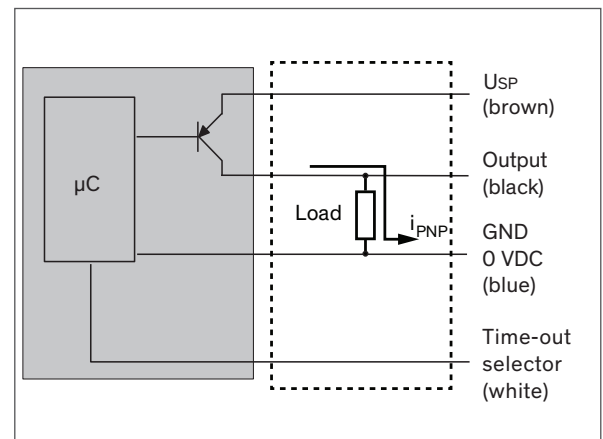


IMS 100 Pro sensor body

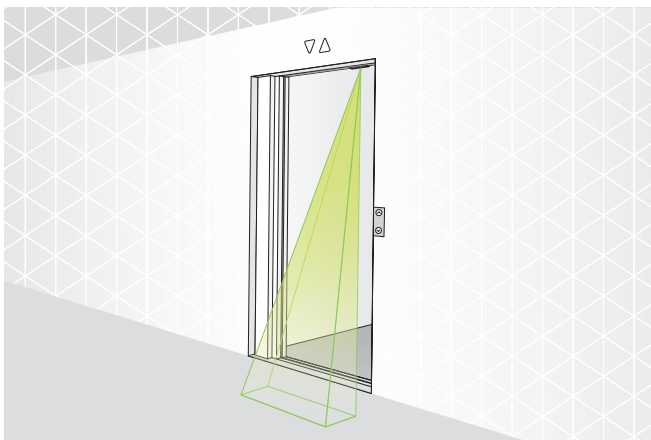
Output logic

Output	USP		
0 V			
Status	No object	Object detected	Door mode
Output	24 VDC HIGH	0 VDC LOW	24 VDC HIGH
Red LED	OFF	ON	Blinking

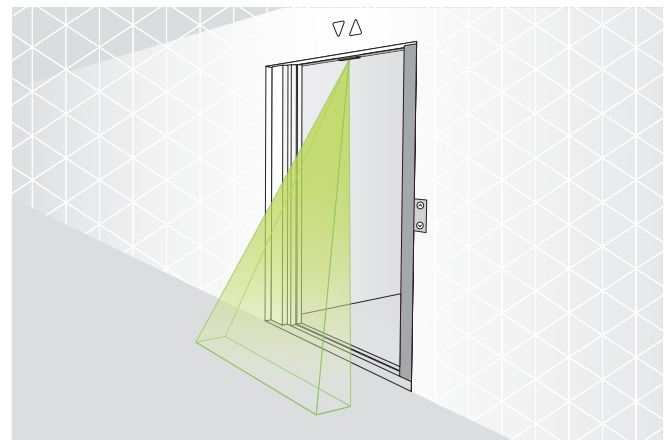
Electrical connection



Applications



IMS 100 Pro - corner-mounted for side-opening doors



IMS 100 Pro - center-mounted for center-opening doors