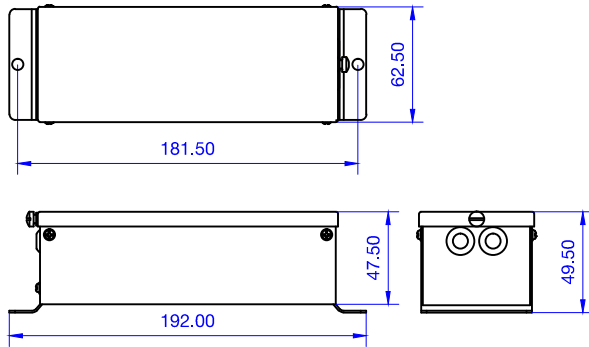
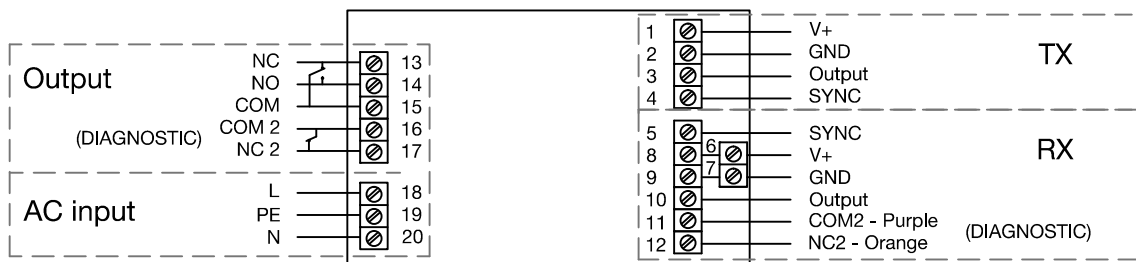


Dimensions

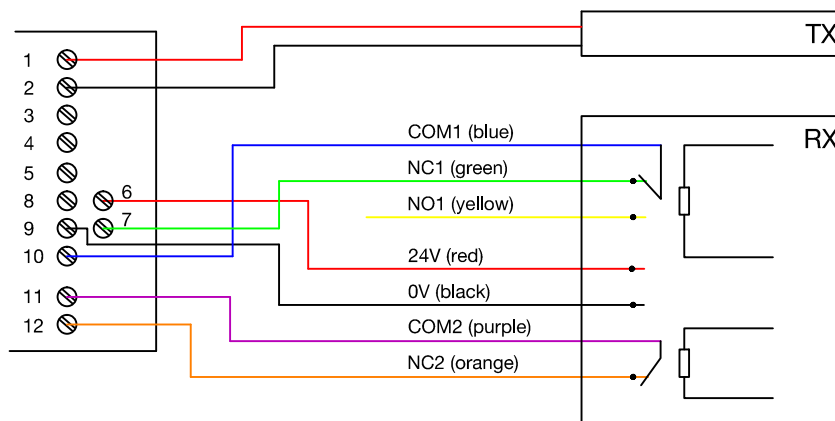


Input voltage	85VAC - 265VAC	
	100VDC - 300VDC	
Red LED indicator	On	Beams obstructed or system fault
	Off	Normal
Green LED indicator	On	Power on
	Off	Power off

Terminal definitions



Wiring - connecting with UPF door detector



EN 81-20: 2014 Section 5.3.6.2.2.1 b), 1) and 2)

The diagnostic outputs (16 and 17) provide a separate and independent confirmation that the infrared matrix is functioning correctly. The default output is NC and this switches to NO in the event of a diode set redundancy. Some interpretations of the standard require this output, however most do not as a modern control system can 'observe' the functioning of the door detector, and a blocked diode set will automatically switch the system output.

NO (14 & 15) or NC (13 & 15)	Beams are interrupted	
	Wiring defective	
NC2 (16 & 17) DIAGNOSTIC	NC	All diode sets are functioning
	NO	Redundant diode set

If the diagnostic outputs are not connected, the door detector will function normally!