

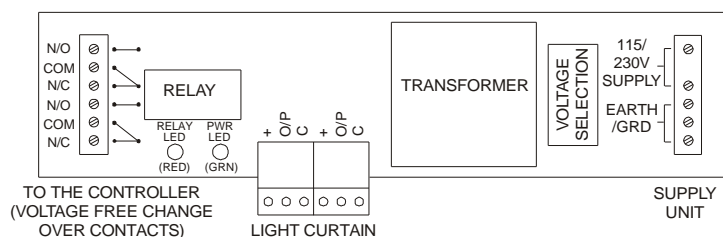
UNIVERSAL INTERFACE

FPS 0270 – SERIES PRODUCTS

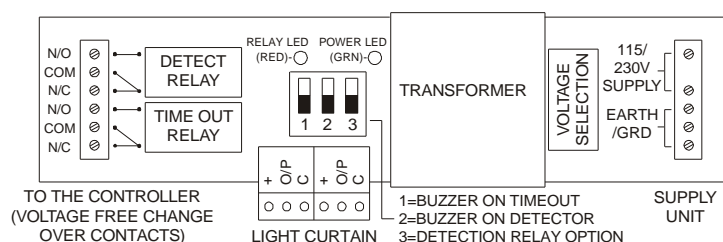
MODEL: FPS UNIVERSAL INTERFACE UNITS

CODE: FPS 0270**01 and FPS 0271**01 **Customer Specific

Item	Detail	Additional comments
FPS 0270 INTERFACE UNIT	STANDARD FEATURES	Single relay output to controller
Power Consumption	3.5VA (Typical)	

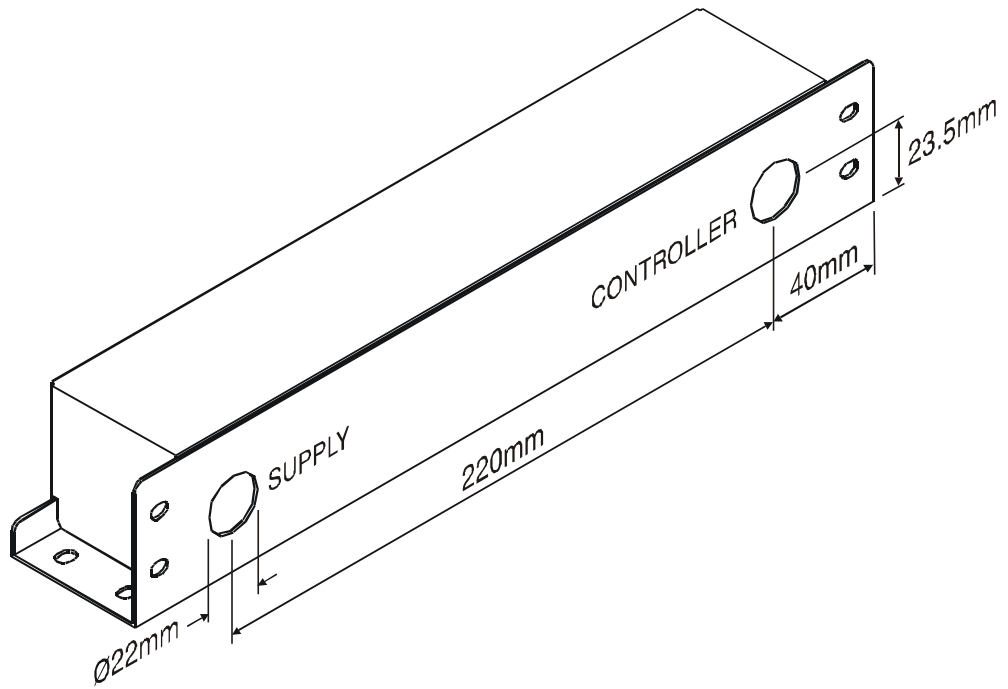
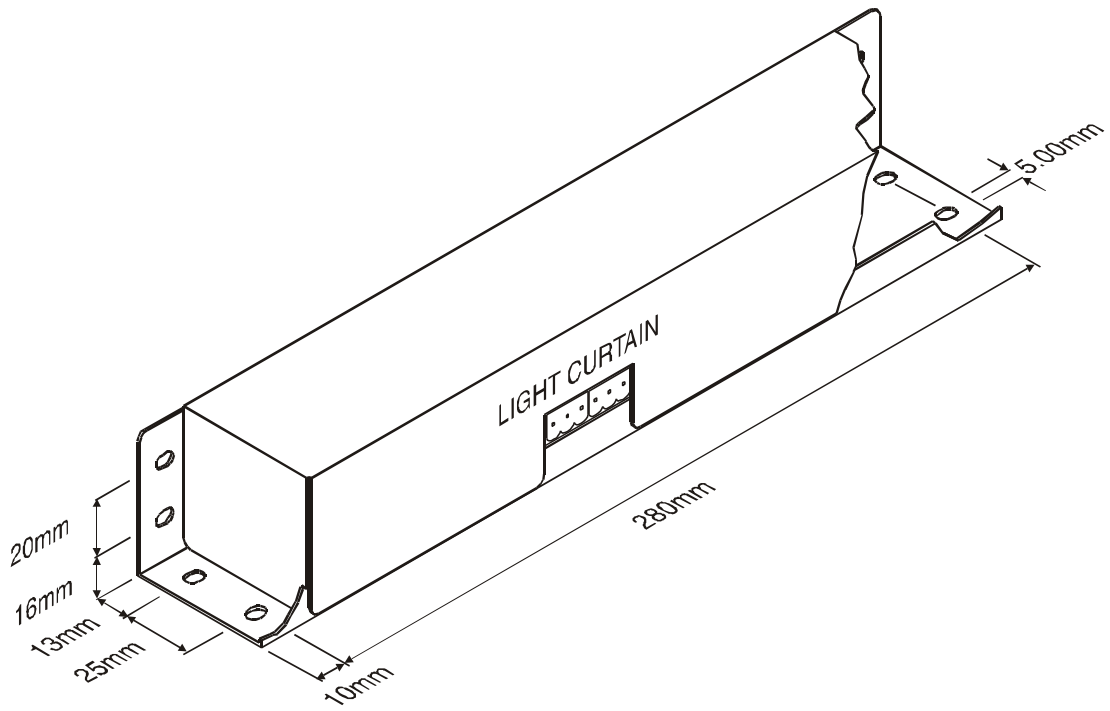


FPS 0271 INTERFACE UNIT	ENHANCED FEATURES	Buzzer with adjustable time-out and relay output for nudging facility.
Power Consumption	4.0VA (Typical)	



COMMON FEATURES:

Compatibility	FCU 0500, 0700 and 1000 Series	
Supply Voltage	230 or 115V AC (50Hz or 60Hz)	Switch selected (SW1)
Signal Output	Voltage free change-over relay contacts	Contacts rated / set, 240V AC 4A RES
Fail Safe Conditions	Faulty cable or supply failure	
Operating Temperature Range	0°C to +70°C	
Storage Temperature Range	-40°C to +80°C	
Unit size	2" x 2" x 12" (54 x 54 x 300mm)	See drawing outline
Mounting	Four screw positions (2 sets)	See drawing outline
Enclosure material	Coated steel	
Indicators	Supply present: System fault / beams obstructed:	Green LED Red LED
SYSTEM APPROVALS	UL, cUL, CE (EMC)	EN12015, EN12016



FPS 0270 Series
(Nominal dimension shown)