

# RELAIS INSTANTANÉS ET DE FONCTION

4 contacts



TEC

1301

- embase PAV à vis 9350
- embase PAR sur CI 9370
- embase PAR à clips 9360

## ► Description

**Instantaneous relay 4 RT / 6 A.**

**2RT / 10 A. version available by clicking [HERE](#).**

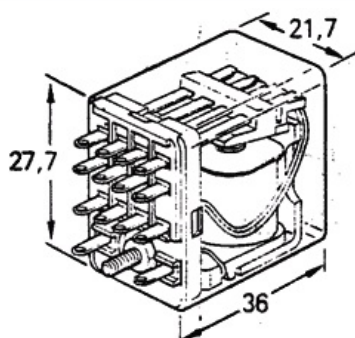
Pluggable on front wiring socket (9350), rear wiring socket with clips (9360) or rear wiring socket for PCB mounting (9370)

**Detailed table of coil resistance data is available in the technical support pages of this site or can be sent upon request.**

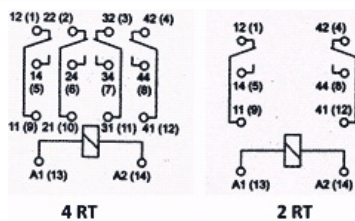
## Others models

- 1246
- 1301
- 1728
- 1753
- 1783
- 1804
- 1848
- 2246
- 2448
- BA
- CAA 72
- CAAI
- CARA
- CS
- GE

## ► Dimensions



## ► Connection



## ► Technical features

<b>Function</b>	Instantaneous
<b>Presentation</b>	under cover
<b>Connection</b>	on front or rear wiring sockets

<b>Number of mechanical operations</b>	10.000.000
<b>Operating temperature</b>	AC : -40 to +55°C - DC : -40 to +70°C
<b>Storage temperature</b>	- 40°C to + 80°C
<b>Climatic protection</b>	reinforced climatic protection
<b>Shock voltage</b>	2.5 KV wave 1,2/50 microseconds
<b>Dielectric strength</b>	Contact/contact : 1,5 KV - coil : 2 KV
<b>Insulation resistance</b>	> 1.000 MOhms (500 VDC new relay)
<b>Weight</b>	35 g.

### ► Coil data

	<b>Direct current</b>	<b>Alternative current</b>	
<b>Min. nominal voltage DC</b>	6 V	6 V	
<b>Min. nominal voltage AC</b>	220 V	230 V - 50/60 Hz	
<b>Operating range</b>	-20/+10% of nominal voltage		
<b>Power requirement</b>	0,9 W	2 VA	1,6 VA

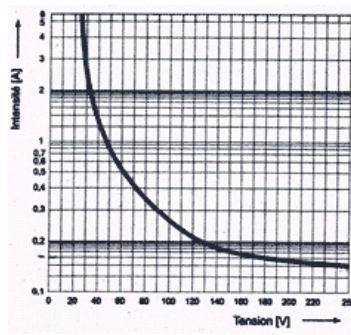
### ► Contacts

<b>Number of contacts</b>	4 inv
<b>Max. load current</b>	6 A per contact
<b>Low power switching</b>	300 mW with I min 5 mA
<b>Short-circuit load</b>	100 A / 30 ms
<b>Response time (bounce time not included)</b>	DC < 13 ms - AC < 14 ms
<b>Bounce time</b>	DC < 3 ms - AC < 8 ms

### ► Contacts rating

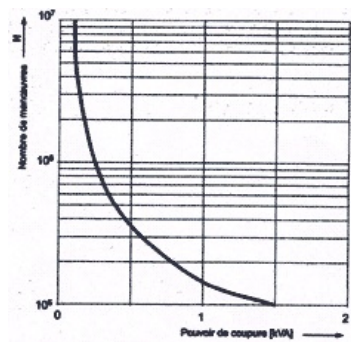
## DIRECT CURRENT

### limited load in DC

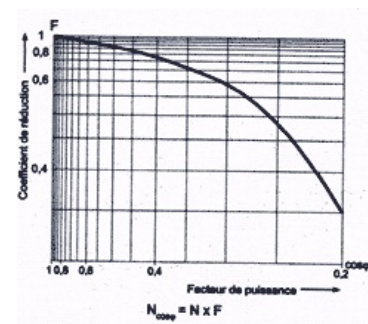


## ALTERNATIVE CURRENT

### electric life duration (resistive load)



### electric life duration (inductive load)



## ► Versions

### CODE VERSIONS

- 0 none
- 1 mechanical indicator
- 2 mechanical indicator + locking test
- 3 idem + LED+ en 13
- 4 idem + Diode+ en 13
- 5 idem + LED+ en 13 + Diode+ en 13
- 6 mechanical indicator + LED+ en 13
- 7 mechanical indicator + Diode+ en 13

For any complementary information, please contact us.

**WARNING : 1301 relay is also available in 2 RT/10 A.**

**Non-contractual document** - characteristics to be confirmed before order  
TEC AUTOMATISMES reserves the right to modify description and specifications without notice