

RELAIS INSTANTANÉS ET DE FONCTION

4 contacts



1804

- rear wiring socket with clips ER/GE 2.8
- rear wiring socket / PCB mounting ER/GE
- front wiring socket with clips EVC/GE
- front wiring socket with clips 9876
- front wiring socket / screw terminals EVB/GE
- front wiring socket / screw terminals 9877

Others models

- 1246
- 1301
- 1728
- 1753
- 1783
- ▶ 1804
- 1848
- 2246
- 2448
- BA
- CAA 72
- CAAI
- CARA
- CS
- GE

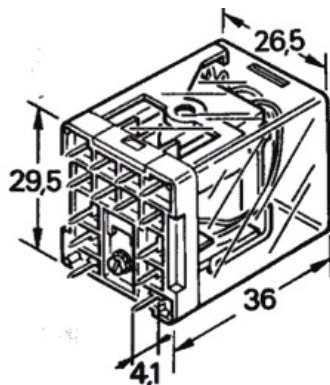
► Description

Instantaneous relay - 4 CO contacts - 5 A..

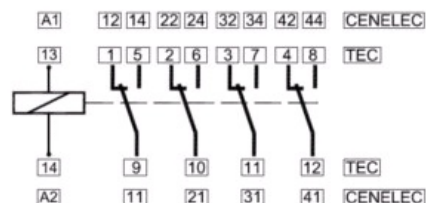
Pluggable on following sockets : 9876, 9877, EVB/GE, EVC/GE, ER/GE 2,8 ou ER/GE.

Detailed table of coil resistance data is available in the technical support pages of this site or can be sent upon request.

► Dimensions



► Connection



► Technical features

| | |
|---------------------|---------------|
| Function | Instantaneous |
| Presentation | under cover |

| | |
|--|--|
| Connection | on front or rear wiring socket |
| Number of mechanical operations | 30.000.000 |
| Operating temperature | min: +5 to +55°C - extr: -25 to +55°C (NFC45-250) |
| Storage temperature | - 40°C to + 80°C (NFC 45-250) |
| Climatic protection | reinforced climatic protection |
| Shock voltage | 4 KV wave 1,2/50 ms (HN 45-S-25) |
| Dielectric strength | 2200 KV Eff50 Hz. (coil/contacts), 2500 V Eff50 Hz |
| Insulation resistance | > 200.000 MOhms (500 VDC new relay) |
| Weight | 40 g. |
| Protection level | IP40 |
| Resistance to mechanical shocks | severity 50 A (NFC 20-608) |
| Resistance to vibrations | frequency range : 10-55 Hz (NFC 20-616) |

► Coil data

| | Direct current | Alternative current | |
|--------------------------------|--|----------------------------|---------------------|
| Min. nominal voltage DC | 6 V | 6 V 50 Hz | |
| Min. nominal voltage AC | 220 V | 230 V - 50 Hz | |
| Operating range | Ic1:-20/+10% - Ib2:-15/+20% of nominal voltage | | |
| Power requirement | 1,2 W | 2 VA (operate) | 1,6 VA (release) |

► Contacts

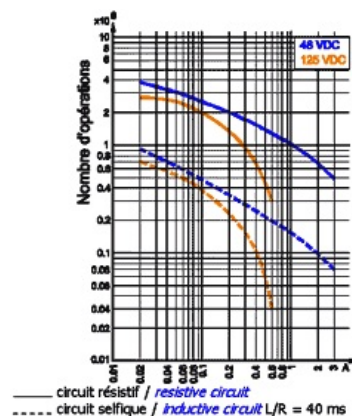
| | |
|----------------------------|--|
| Number of contacts | 4 |
| Max. load current | Ic1: 3 A per contact / Ib2: 5 A per contact |
| Low power switching | 0.1 VA with min. voltage 1 V and/or I min 1 mA |

| | |
|--|---------------------------|
| Short-circuit load | 100 A / 30 ms |
| Response time (bounce time not included) | DC < 11.5 ms - AC < 13 ms |

► Contacts rating

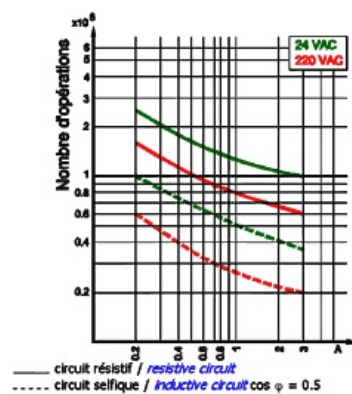
DIRECT CURRENT

commutation on DC



ALTERNATIVE CURRENT

commutation on AC



► Versions

- . 1804 relay frequency 60 Hz
- . 1804 relay with specific voltages
- . 1804 relay with internal protection (diode)

For any complementary information regarding mounting or withdrawal, please refer to the technical support pages of this site, or contact us.

Non-contractual document - characteristics to be confirmed before order

TEC AUTOMATISMES reserves the right to modify description and specifications without notice