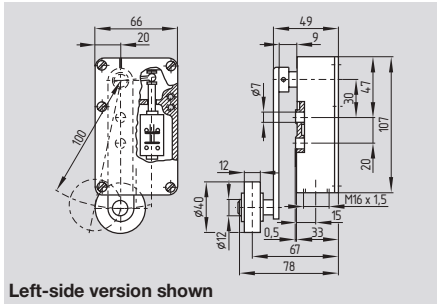


Universal switches

ASH 015 U



Left-side version shown

- Bottom-side actuating lever with slow action
- Metal enclosure
- Transparent plastic cover, for protection class IP 54 with metal cover
- Positive break NC contacts A
- 1 NO and 1 NC contact, 2 NC contacts or 2 NO contacts
- Left-side or right-side version available
- Positive actuation from the roller to the contact in both directions
- Shore hardness of the rubber roller of the actuating lever 35° or 50°
- Especially suited for side-by-side mounting
- Set to neutral position upon delivery

Technical data

Switching system: Slow action,
 ⊖ IEC 60947-5-1
 positive break NC contacts

Standards: IEC/EN 60947-5-1/
 DIN VDE 0660-200

Enclosure: light-metal die-cast

Protection class: IP 40 or IP 54
 to IEC/EN 60529/
 DIN VDE 0470-1

Contact material: silver

Switching elements: double break Zb,
 galvanically separated
 contact bridges

Termination: Screw terminals,
 cable section max. 2,5 mm²
 (incl. conductor ferrules)

U_{imp}: 6 kV

U_i: bei -11: 500 V
 bei -02, -20: 400 V

I_{the}: 10 A

Utilisation category: AC-15

I_e/U_e: 4 A/400 VAC

Short-circuit protection: 20 A (slow blow),
 25 A (quick blow)

Ambient temperature: -30 °C...+ 90 °C

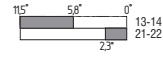
Mechanical life: 10 million operations

Contact opening at full travel: 2 x 4 mm

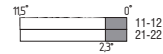
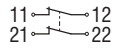
Weight: 440g

Contact variants

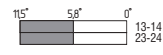
1 NO contact
1 NC contact



2 NC contacts



2 NO contacts



Ordering data

ASH015①-②U③④⑤

N°	Add	Description
①	L	Left-side version
	R	Right-side version
②	11	1 NO contacts / 1 NC contacts
	02	2 NC contacts
	20	2 NO contacts
③		no staggered contacts, no overlapping contacts
	h	staggered contacts
	ü	overlapping contacts
④	35	hardness 35°
	50	hardness 50°
⑤		Protection class IP 40
	x	Protection class IP 54