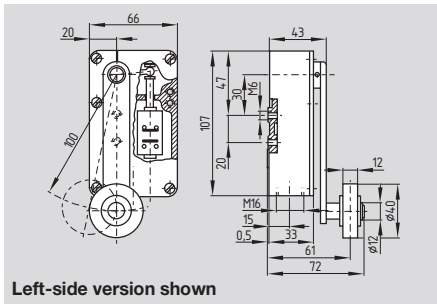


# Universal switches

## ASH 015 D



- Actuating lever on bottom-side with slow action
- Metal enclosure
- Transparent plastic over, for protection class IP 54 with metal cover
- Positive break control contacts
- 1 NO and 1 NC contact, 2 NC or 2 NO contacts
- Available in right-side or left-side version
- Positive actuation from the roller to the contact in both directions
- Shore hardness of the rubber roller of the actuating lever 35° or 50°
- Especially suited for side-by-side mounting
- Set to neutral position upon delivery

## Technical data

Switching system: Slow action,  
 ⊖ IEC 60947-5-1  
 positive break NC contacts

Protection class: IP 40 or IP 54  
 to IEC/EN 60529/  
 DIN VDE 0470-1

Standards: IEC/EN 60947-5-1/  
 DIN VDE 0660-200

Enclosure: light-metal die-cast

Contact material: silver

Switching elements: double break Zb,  
 galvanically separated  
 contact bridges

Termination: Screw terminals, cable section  
 max. 2,5 mm<sup>2</sup>  
 (incl. conductor ferrules)

$U_{imp}$ : 6 kV

$U_i$ : at -11: 500 V  
 at -02, -20: 400 V

$I_{the}$ : 10 A

Utilisation category: AC-15

$I_e/U_e$ : 4 A/400 VAC

Short-circuit protection: 20 A (slow blow),  
 25 A (quick blow)

Ambient temperature: -30 °C...+ 90 °C

Mechanical life: 10 million operations

Contact opening at full travel: 2 x 4 mm

Weight: 440g

## Contact variants

**1 NO contact**  
**1 NC contact**

**2 NC contacts**

**2 NO contacts**

**1 NO contact**  
**1 NC contact**

**2 NC contacts**

**2 NO contacts**

## Ordering data

ASH015①-②D③④⑤

N°	Add	Description
①	L	Left-side version
	R	Right-side version
②	11	1 NO contacts / 1 NC contacts
	02	2 NC contacts
	20	2 NO contacts
③		no staggered contacts, no overlapping contacts
	h	staggered contacts
	ü	overlapping contacts
④	35	hardness 35°
	50	hardness 50°
⑤		Protection class 40
	x	Protection class 54