

With our connected and intelligent lift solution, you enter the third dimension of smart cities.



LIFT

VoiceBOX TOP/PIT
8D5780



ACTIVE

VoiceBOX CAR
8D5804



ACTIVE

VoiceBOX Button
8D5810



PASSIVE

Active Bidirectional Speakerphone Terminal

- **EN 81-28 and EN 81-70 compliant**
- **Connection with 2 wires only**
- **Lift emergency LED**
- **Easy and quick installation**
- **Integrated microphone and speaker**
- **Available in 3 versions:**
 - **Top/Pit (with integrated SOS button)**
 - **CAR (for installation in the cabin)**
 - **Button only (passive for voice station management)**
- **Volume digital control**
- **Dialer remote powered**
- **Management of alarm position transmission (Top, Pit, Car)**
- **Optoinsulated external LEDs management (CAR version only)**
- **Voice stations management through VoiceBOX**
- **Voice management between Car and control panel**
- **Resistant plastic case**

VoiceBOX is an innovative audio terminal for **Lift Remote Alarm applications** extremely versatile, easy and quick to install.

VoiceBOX allows to activate the Remote Alarm System and to establish bidirectional audio communications outwards or with the engine room. **It can be used both for new installations and for modernizations.**

The installation is very simple; just connect only 2 wires coming from Lift Dialer (card or metal box version) from which VoiceBOX is powered.

Even the button management is performed through the 2 wires only and it doesn't require other connection (typical of other products on the market).

Special care has been placed in the manufacturing of VoiceBOX to guarantee the best audio quality avoiding the audio feedback effect (Larsen).

Its **compact size** (19 mm. thickness, one of the thinner on the market) makes the installation easier behind the cabin panels. For this reason the speaker is physically separated from the microphone as shown in the image.

VoiceBOXes (except the passive version) integrate 2 LEDs indicators as required by EN 81-28 regulation to inform about the sent and registered alarm. In this way in any Top/Pit or Car point the emergency status is signalled. No additional cabling is necessary for the installation of control lights.

In **VoiceBOX CAR version** you can also connect the external control LEDs that use the graphical displays with pictograms. The interface to these LEDs is optoinsulated.

On **VoiceBOX Top/Pit** an alarm reset button is present to locally close the alarm after a technical intervention or for simulations and tests. VoiceBOX will communicate to the dialer that the present alarm has been closed. Furthermore VoiceBOX is ready for an inductive loop.

VoiceBOX Button only can be used in case you want to perform a voice station management installing on the Top/Pit this passive version and leaving the active one in the cabin.

SOME APPLICATION

VoiceBOX with complete voice station management

This installation is performed with 1 dialer card and 3 active VoiceBOXes (2 Top/Pit version 8D5780 and 1 Car version 8D5804).

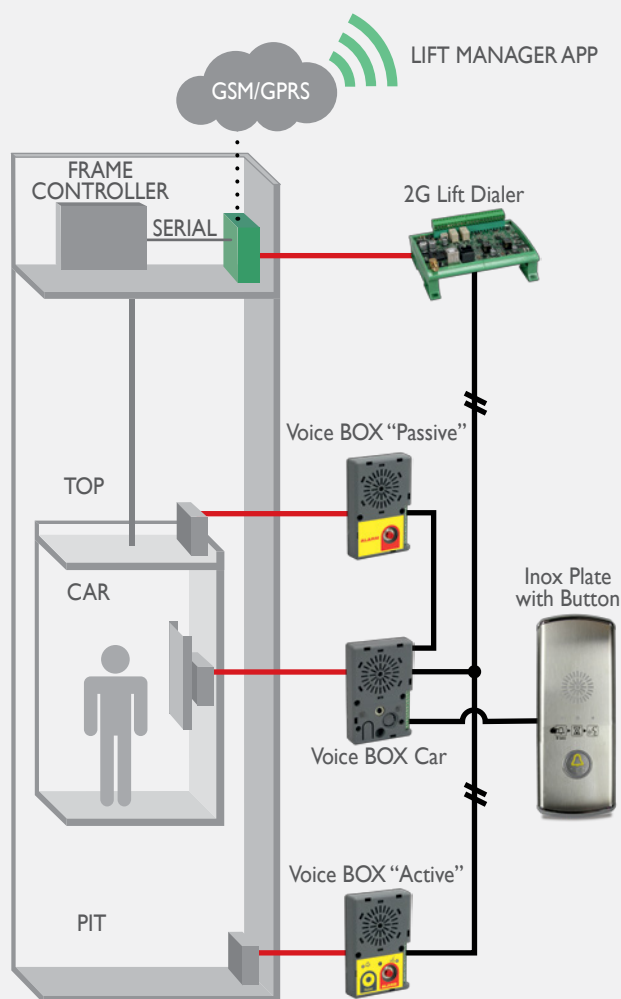
To select the VoiceBOX position as Top or Pit it is sufficient a simple jumper on the terminal board as shown in picture.

VoiceBOX with basic voice station management

This installation is performed with 1 card Lift Dialer, 1 active VoiceBOX Car 8D5804 and 2 VoiceBOX Button only 8D5810.

TECHNICAL FEATURES

	VoiceBOX CAR 8D5804	VoiceBOX Top/Pit 8D5780	VoiceBOX Button only 8D5810
Active Terminal	•	•	
Integrated Microphone	•	•	
Integrated Speakerphone	•	•	
EN81-28 LED	•	•	
Ext. LED Management	•		
Integrated SOS button		•	•
External SOS button	•		
2 Wires power	•	•	
Reset Alarm button		•	
Top/Pit/Car ID	•	•	
Volume Control	•	•	
Passive device			•
Power supply	48VDC	48VDC	
Size	100 x 64 x 19	100 x 64 x 19	100 x 64 x 19
RoHs / CE	•	•	•



CONTENTS OF THE 3 PACKAGES

- VoiceBOX - 3 versions:
 - 8D5804 VoiceBOX Car
 - 8D5780 VoiceBOX Top/Pit
 - 8D5810 VoiceBOX Button (Passive)
- User's Guide