

... for a safe journey in elevator cabins without car doors.



cegard/Lift LX/LY

Safety system for elevator cars without car doors



EN 954

Description

The protective light curtain **cegard/Lift LX / LY** is designed to be installed in elevators where the lift car has no doors. It is approved by TÜV in Germany according to the TRA 200, which specifies a type 2 ESPS (electro-sensitive protective system with built in self test).

cegard/Lift is an alternative to the extensive work of fitting doors on an existing elevator installation which normally heavily reduces both volume and performance.

As **cegard/Lift** in operation uses up to 46 (optional 70) beams, the optical resolution and consequently safety is thereby heavily increased.

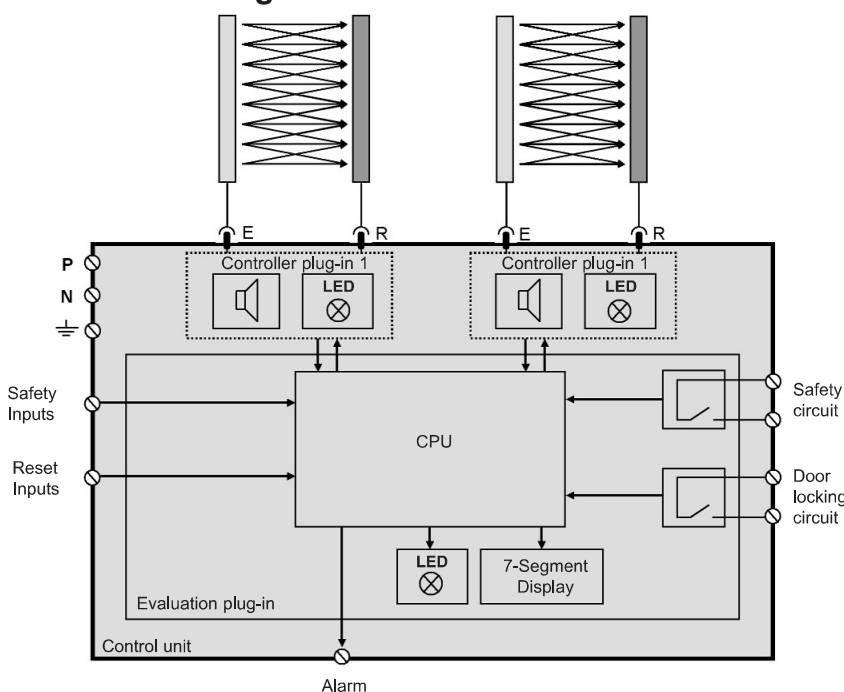
The optional mounting kits can be supplied as either a surface mounted model or as a back wall model. The latter has the advantage that the existing net door width can be maintained. The system is designed to survey one or two lift accesses.

cegard/Lift can be easily connected to almost all existing elevator controllers without the need for additional elevator cables to be installed.

Functions

- According to EN 62061: 2005, EN 61496-1, EN 61496-2: 2006 BWS type 2
- Perfectly suited for modernizations in elevators without car doors
- Simple integration with current elevator controllers
- Safety technical monitoring of light curtain and signals (from / to elevator controller)
- Monitoring of one or two elevator door-ways
- No adjustments or optical alignment necessary
- Simple mounting
- Self-calibrating

Block circuit diagram

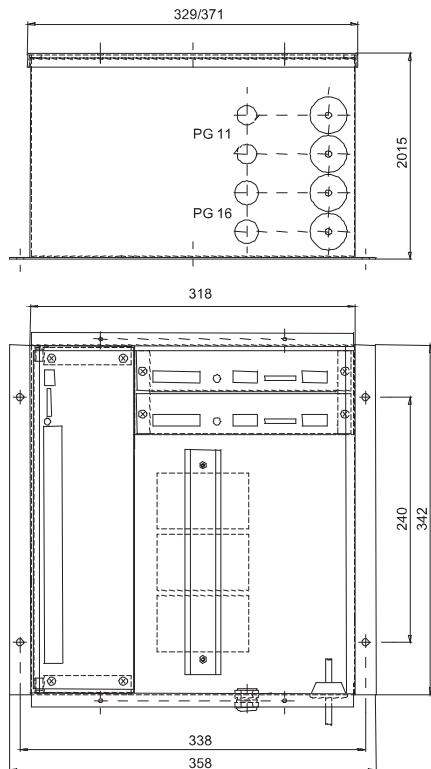


Technical Data

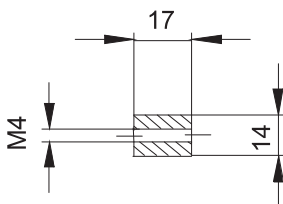
Power supply	195 ... 265 VAC
Current consumption	< 200 mA
<i>Outputs</i>	
- Alarm	24V / 100 mA
- Safety circuit	two channel
	Relay 230 VAC / 4 A
- Door locking circuit	LX: Door lock contactor
	380 VAC / 16 A
	LY: Rectifier
	230 VDC / 3 A
Response time output	< 150 ms, typ. 100 ms
<i>Inputs</i>	
- Safety inputs	12 ... 380 VAC / DC
- Reset inputs	12 ... 265 VAC / DC
<i>Optical edges</i>	
Cable length	6 m
Operating range	0.7 ... 4.0 m
No. of light beams	46 beams
Detection zone	1'630 mm
<i>Enclosure rating</i>	
- Control unit	IP 54
- Optical edges	IP 65
<i>Temperature range</i>	
- Operation	+10° ... +65°C
- Operation below +10°C	cegard/Lift LX/LY IP67

Technical drawing cegard/Lift LX, LY

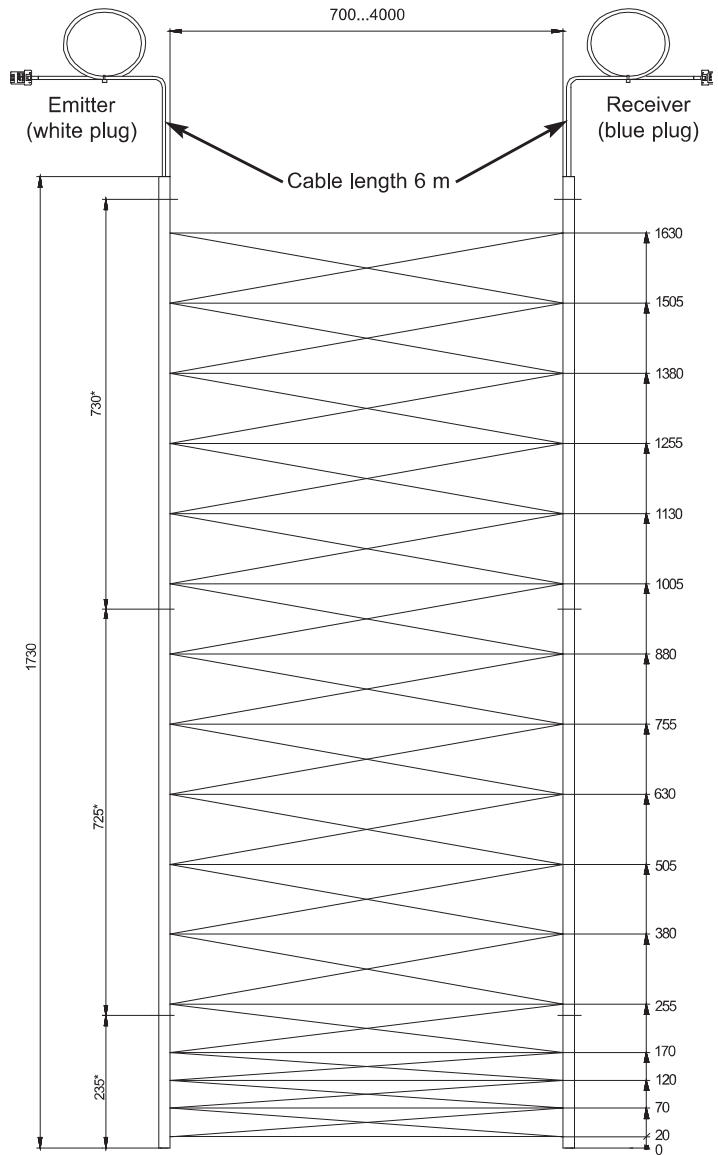
Robust control unit



Cross section of optical edge



Optional: Through hole



* = Mounting holes \varnothing 4.5 mm

- Optional:
- 70 beams
 - Operating range 4 ... 8 m

(All dimensions in mm)

Order Information

Part No.	Type	Description
101 070	cegard/Lift LX	Control unit incl. safety interface for one lift car entry with power switch 3 x 380 VAC / 16 A
101 071	cegard/Lift LX	Control unit incl. safety interface for two lift car entry with power switch 3 x 380 VAC / 16 A
101 384	cegard/Lift LY	Control unit incl. safety interface for one lift car entry for DC bolt magnets 230 VDC / 3 A
101 385	cegard/Lift LY	Control unit incl. safety interface for two lift car entry for DC bolt magnets 230 VDC / 3 A
101 072	cegard/Lift	Pair of optical edges, range 0.7 ... 4.0 m
101 073	cegard/Lift	Pair of optical edges, range 4.0 ... 8.0 m
100 847	Accessory	Mounting kit for back wall mounting, including drill pattern, drill, (stainless steel, painted yellow-black)
100 848	Accessory	Mounting kit for surface mounting inside the car, including drill pattern, drill, (stainless steel, painted yellow-black)
100 849	Accessory	Alarm buzzer for indicating emergency stop, surface mounted
Special design i.e. range 0.4 ... 1.5 m, other geometry of the optical edges, higher temperature range on demand!		