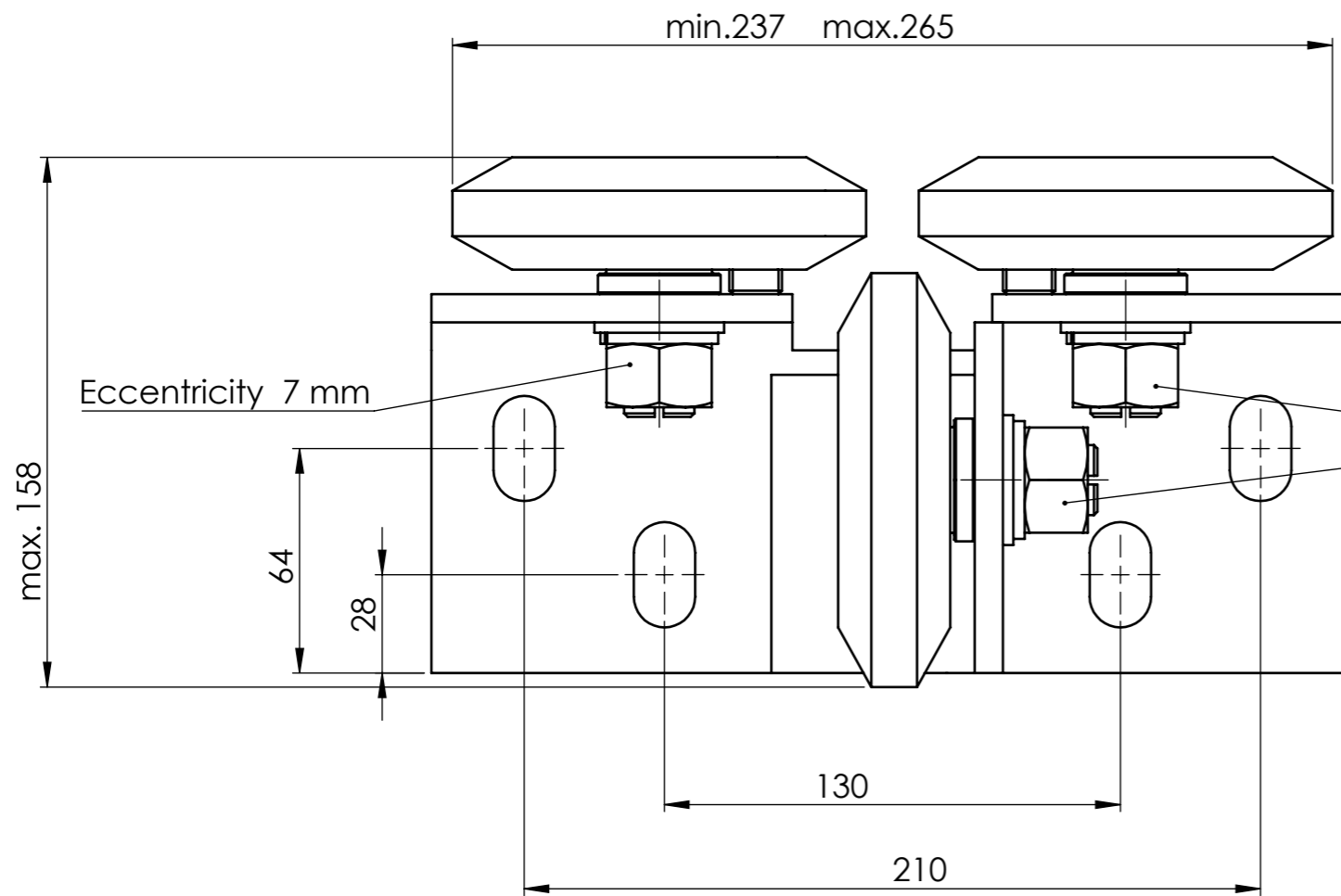
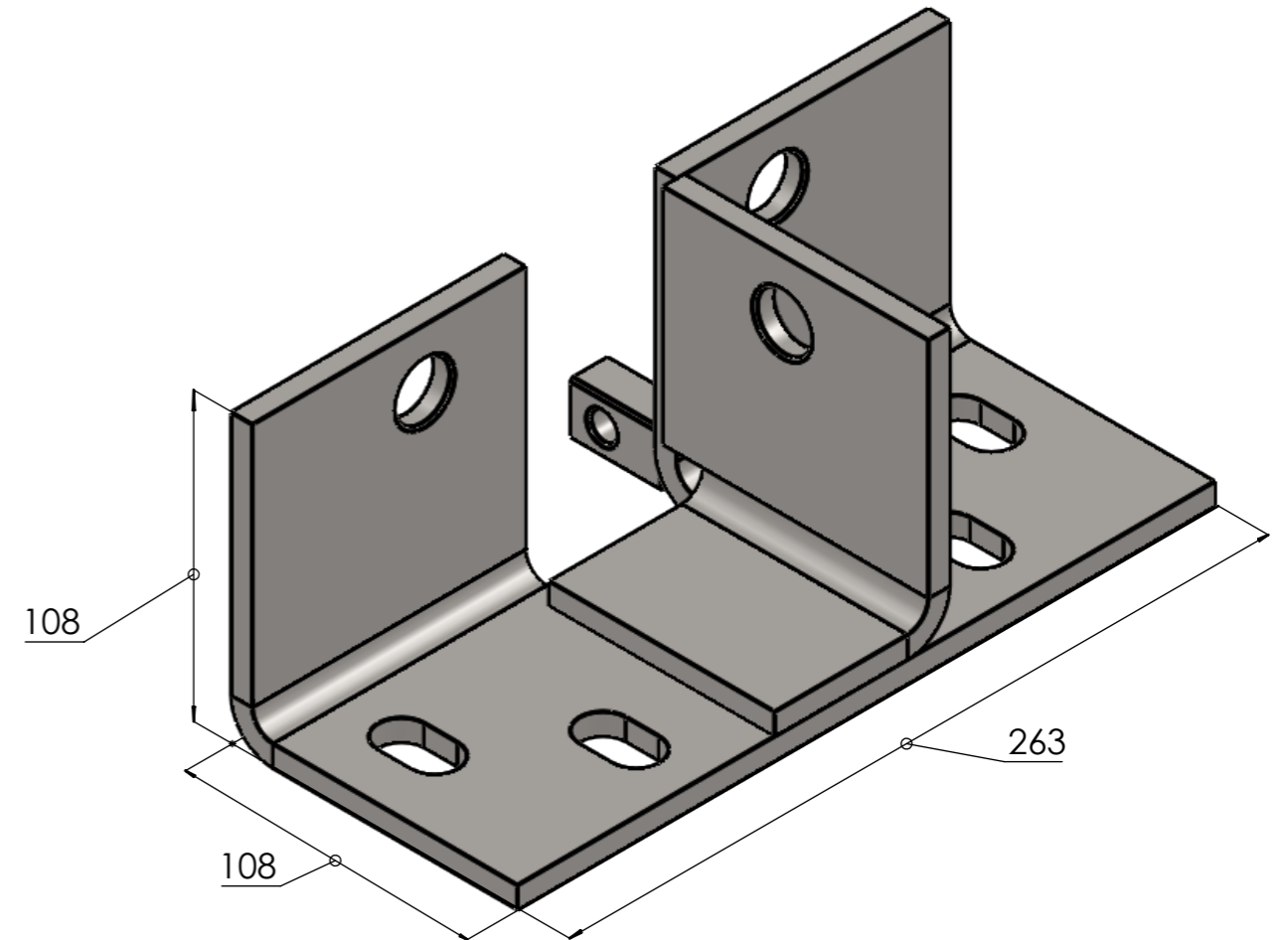
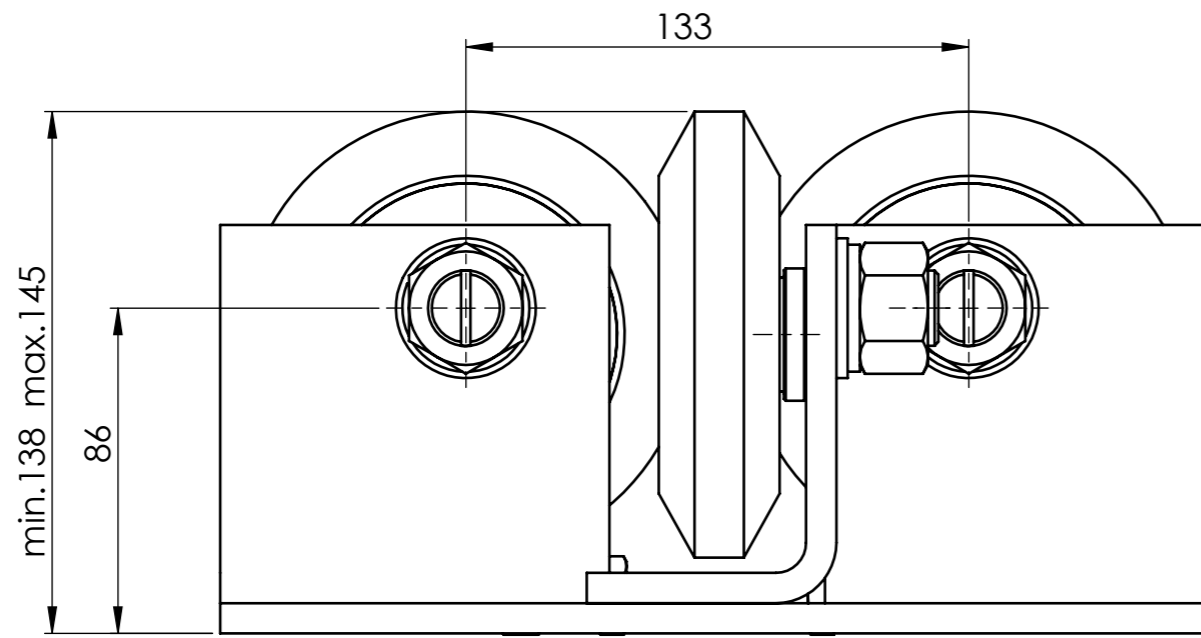
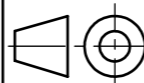



REVISIONS				
ZONE	REV.	DESCRIPTION	DATE	APPROVED



Eccentricity 7 mm

	Art Nr: 3090217	Unspecified Tolerances:	Weight: 5.86	Scale: 1:2
	Drawn Hissmekano 07.03.2018 Chk'd A.Pählapuu 07.03.2018 Appv'd R.Reimer	Title: Roller guide with tapered rollers		
		Sheet 1 of 1	Dwg No. HM11.0161.00	A3