



# Your Sensor Partner

SECATEC electronic GmbH  
Knappenstrasse 154  
D-57581 Katzwinkel

phone: +49 2741 9460-0  
fax: +49 2741 8501

mail: info@secatec.de  
web: www.secatec.de

## technical data

19.11.2014

reed-magnetic switch

AC/DC 2-wire

35 x 15 x 68mm

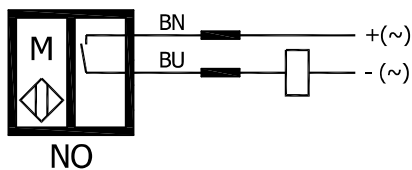
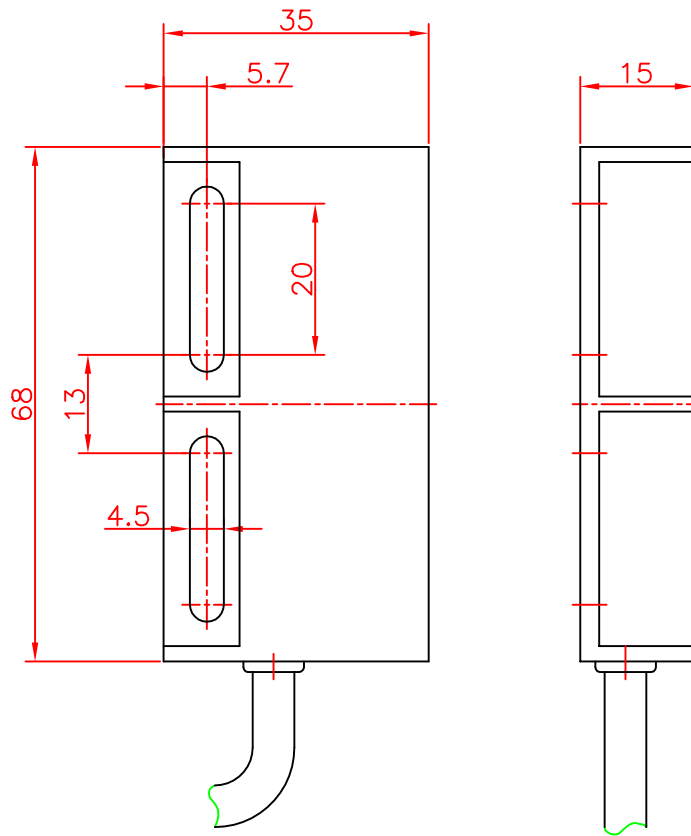
ident-no.:
<b>75448</b>
type:
<b>MKF35ASAK</b>

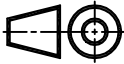

revision index: 002

output	NO
switching capacity	max. 80 W/VA
switching voltage	max. 230 V AC/DC
switching current	max. 800 mA
switch on time	3,5 ms
switch off time	0,2 ms
switching frequency	max. 100 Hz
lifetime at nominal load	$10^5$ to $10^6$ operations
operating temperature range	-20°C ... +50°C
degree of protection acc. to DIN 60 529	IP65
dielectric test voltage ac (rms.) $U_i$	--- V
on/off indication	---
housing material	plastics
connection	1m PVC-cable 2 x 0,75mm <sup>2</sup>

Applications are inadmissible when safety of persons depends on the function of the device.

SECATEC electronic GmbH reserves the right to change or discontinue these products without notice and does not assume any liability arising by use the product with non-compliance of this specifications.



Schutzvermerk nach DIN 34 beachten	(Zul.Abw.) Allgemeintol. nach DIN ISO 2768-m	Oberfläche nach DIN 3141	Maßstab 1:1 (Werkstoff, Halbzeug) (Rohteil-Nr.) (Modell- oder Gesenk-Nr.)	(Gewicht)
	2008 Datum	Name	(Benennung)	
	Bearb. 03.03.	Seifer	Reed-Magnetschalter 68x35x15mm Schließer	
	Gepr.		(Zeichnungsnummer)	Blatt
 Secatec electronic GmbH Knappenstraße 154 D-57581 Katzwinkel				