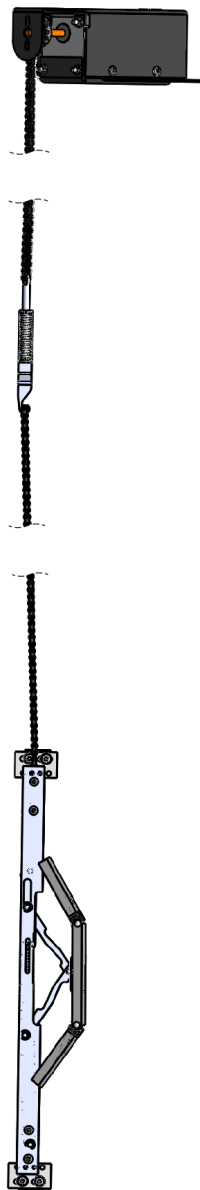


## Retiring ramp ELB- Kompakt

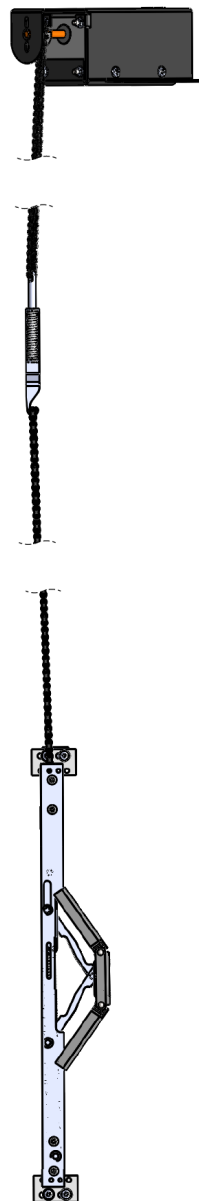
### Product sheet

#### Description

The retiring ramp ELB Kompakt is a motor driven device for opening the swing door lock in the landing door for lifts. The slim design makes it suitable for lifts with narrow shafts. Available with long (120mm) or short cam (60mm).



ELB kompakt - Long



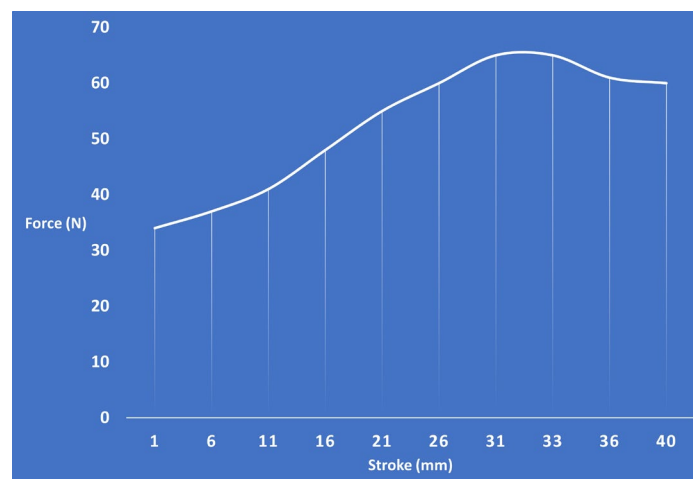
ELB kompakt - Short

## Product specifications

Technical data	
Stroke:	25-43mm (Adjustable)
Minimum width (retracted/energized):	33mm
Maximum width (dropped):	76mm
Input voltage:	24 VDC +/- 10%
Max allowed voltage:	36 VDC
Hold / Pull Current:	1A / 2,5 A
Weight:	3,7kg
Ambient temperature	-10°C ~ +45°C
Temperature sensor motor (NTC)	+80°C (Max permitted temp)
Protection class	IP20

### Force

From 35N to 65N.



### Options:

- Selection of Rotating direction - Counter and clockwise direction
- Returning speed adjustment
- Stroke length adjustment – support block.

**Cable & cable length:** Red (+) and black (-), 2mts long

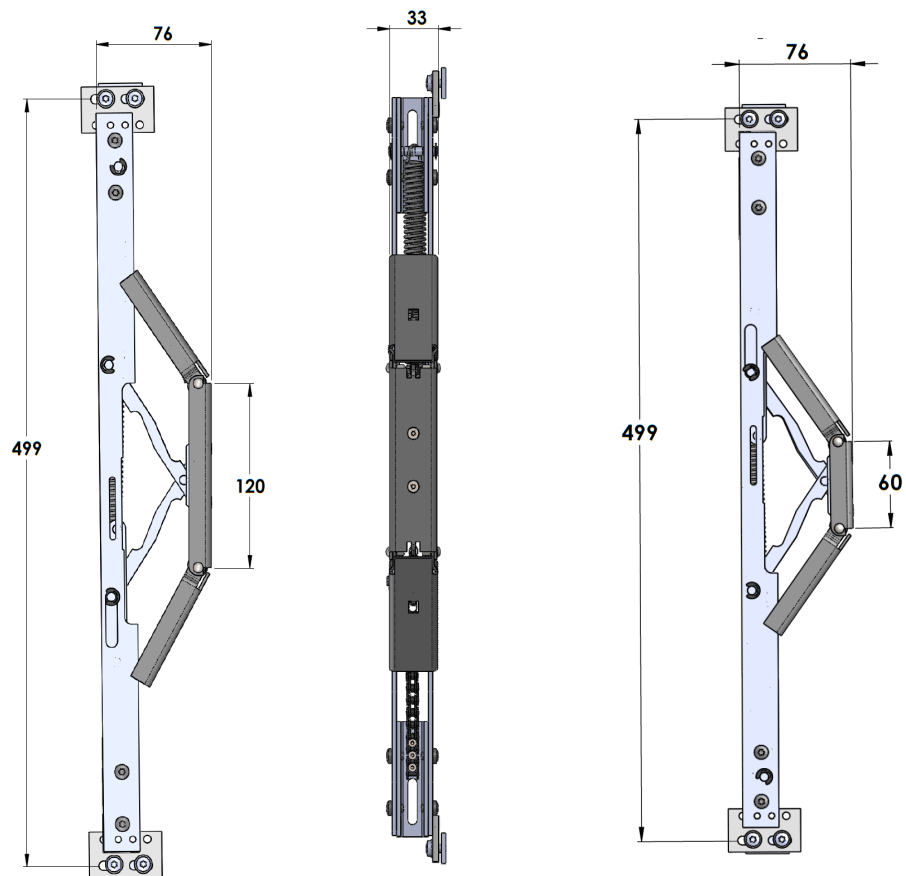
**Temp. sensor:** The NTC sensor will stop the motor when reaching max permissible temperature 80°C and wait until it has reached 60°C. During this time, the LED on the backside will blink red.

**Disposal:** Make sure to follow national laws for disposal.

Recycling according to:

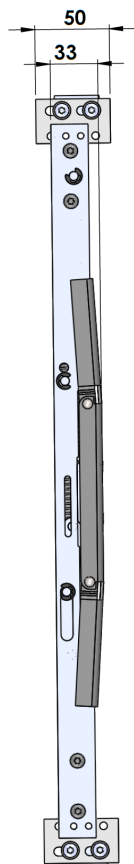
- Electronics waste (PCB and cables)
- Non-ferrous metals (Motor)
- Metals (housing and retiring ramp)

## Dimensions

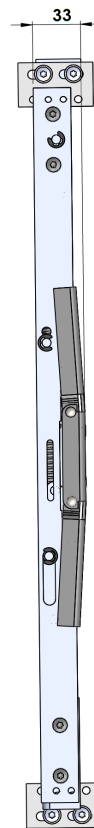


Dropped- Long

Dropped- Short



Retracted/Energized - Long



Retracted/Energized - Short

**- Motor housing dimensions**

