



TELESCOPIC JACK 9100,9101,9110,9111

Ompackning / Repacking / Sostituzione delle guarnizioni /
Dichtungswchsel / Wymiana uszczeliek

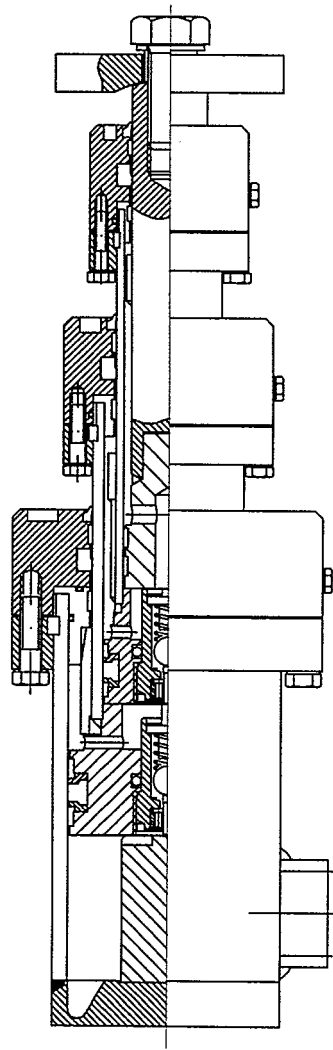
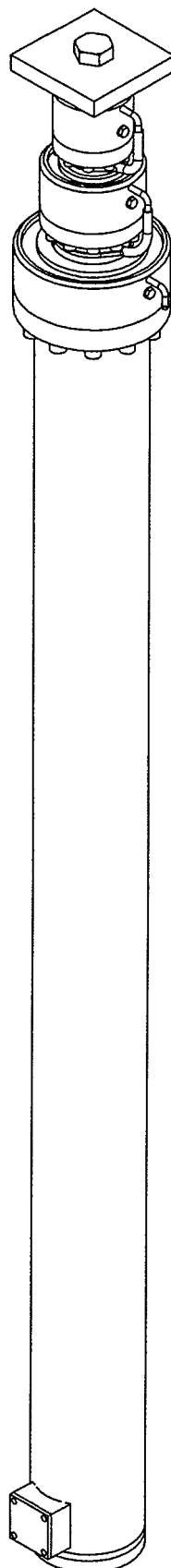
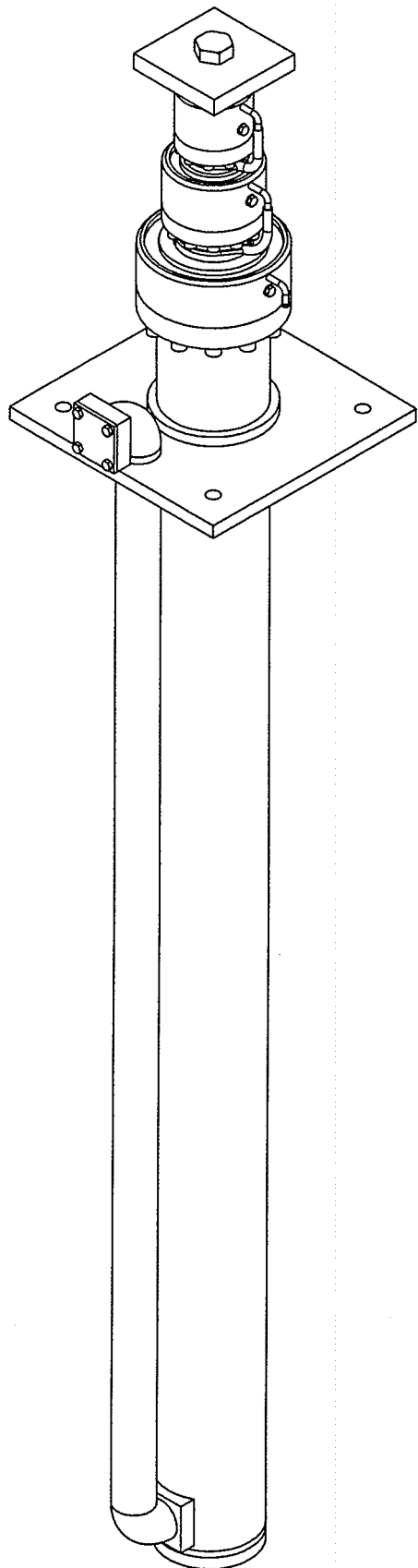
M 2:2

2005-05-25

1

TT/JÄ

1/12



THIS DOCUMENT IS EXCLUSIVE
OWNERSHIP OF GMV
IT IS PROHIBITED TO REPRODUCE
OR DIVULGE IT.



TELESCOPIC JACK 9100,9101,9110,9111

Ompackning / Repacking / Sostituzione delle guarnizioni /
Dichtungswechsel / Wymiana uszczeliek

M 2:2

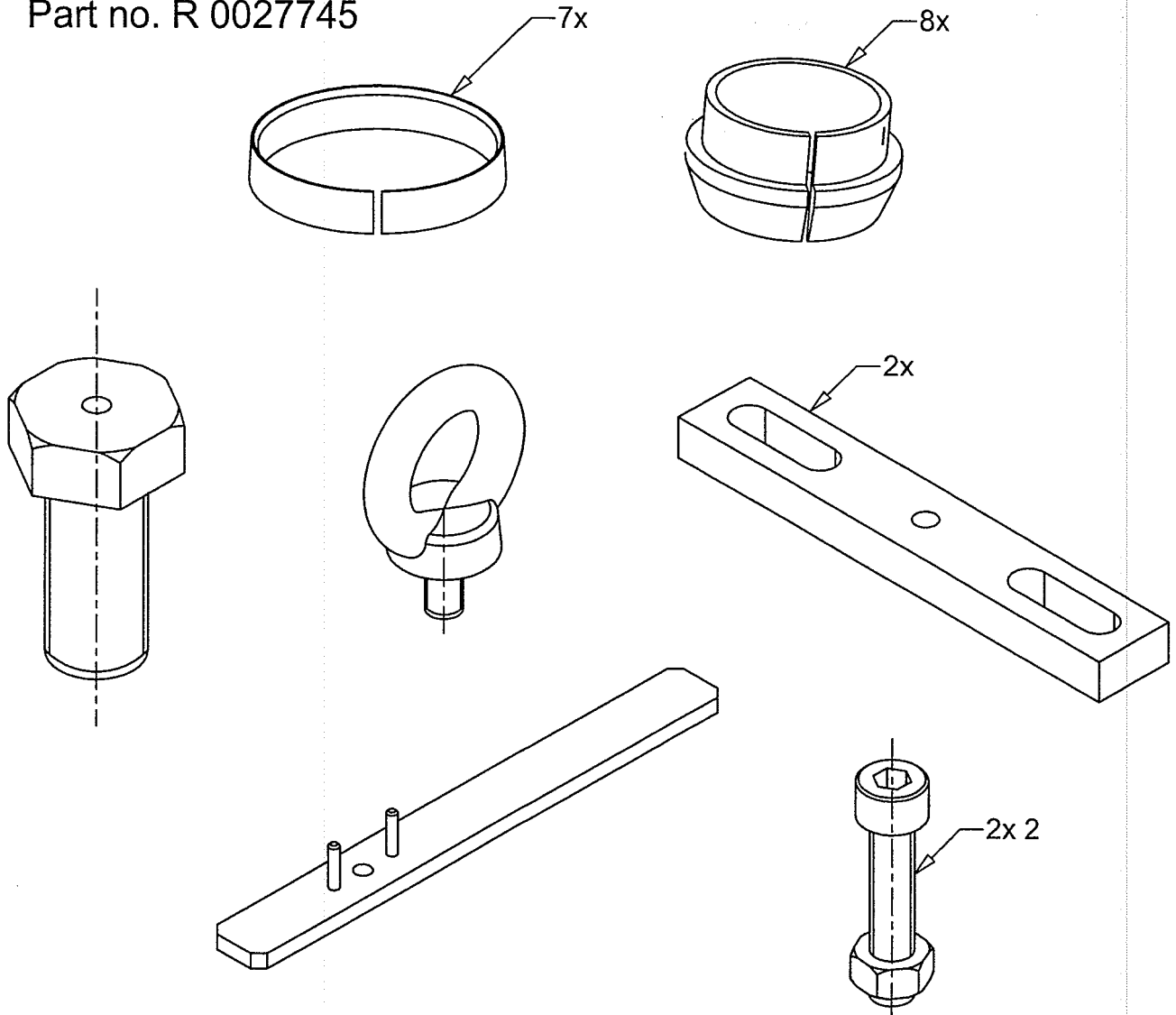
2005-05-25

1

TT/JÄ

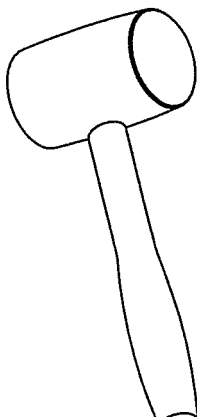
2/12

Part no. R 0027745

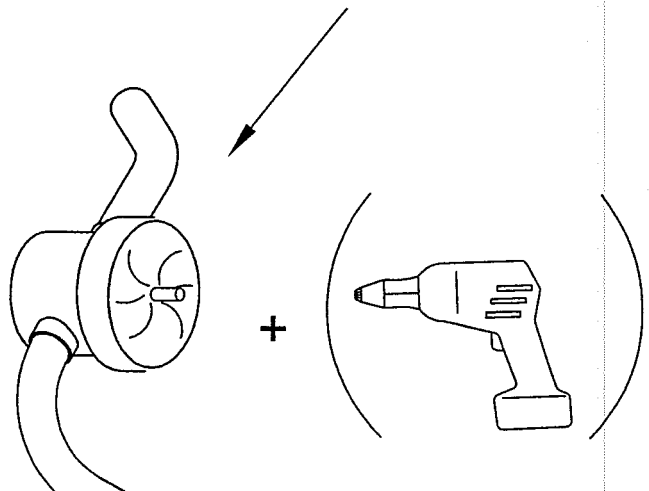


1

Part no. R 0023273



Part no. R 0023274





TELESCOPIC JACK 9100,9101,9110,9111

Ompackning / Repacking / Sostituzione delle guarnizioni /
Dichtungswechsel / Wymiana uszczelek

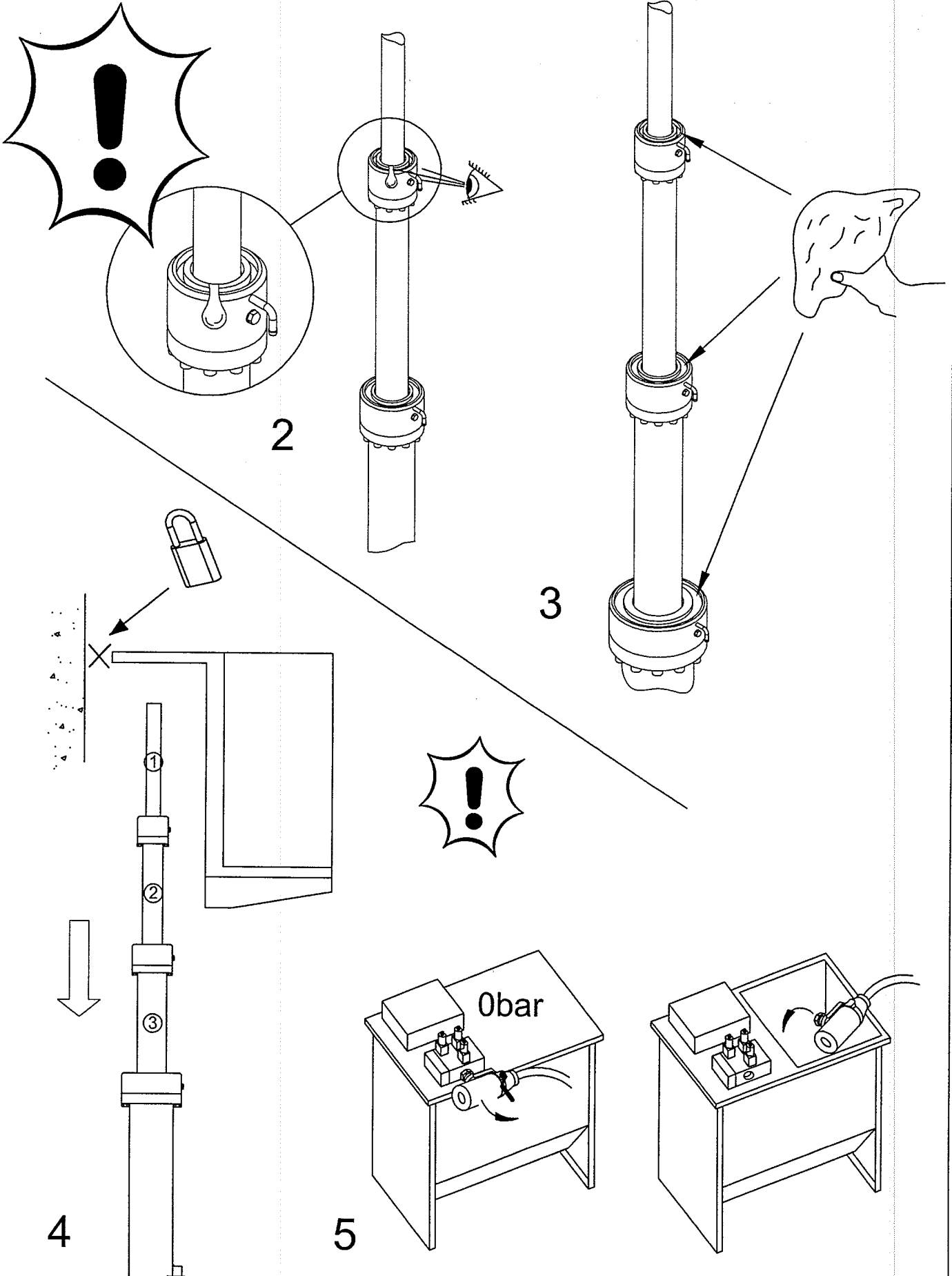
M 2:2

2005-05-25

1

TT/JÄ

3/12



THIS DOCUMENT IS EXCLUSIVE
OWNERSHIP OF GMV
IT IS PROHIBITED TO REPRODUCE
OR DIVULGE IT.



TELESCOPIC JACK 9100,9101,9110,9111

Ompackning / Repacking / Sostituzione delle guarnizioni /
Dichtungswechsel / Wymiana uszczeliek

M 2:2

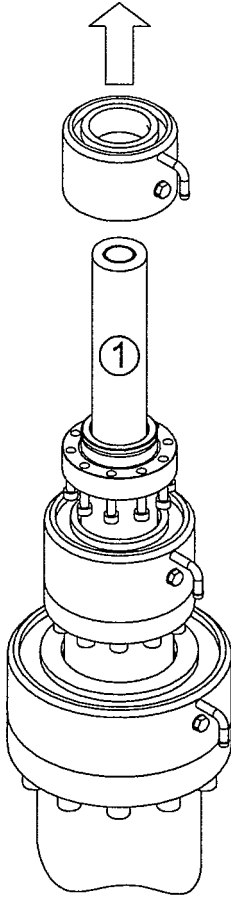
2005-05-25

1

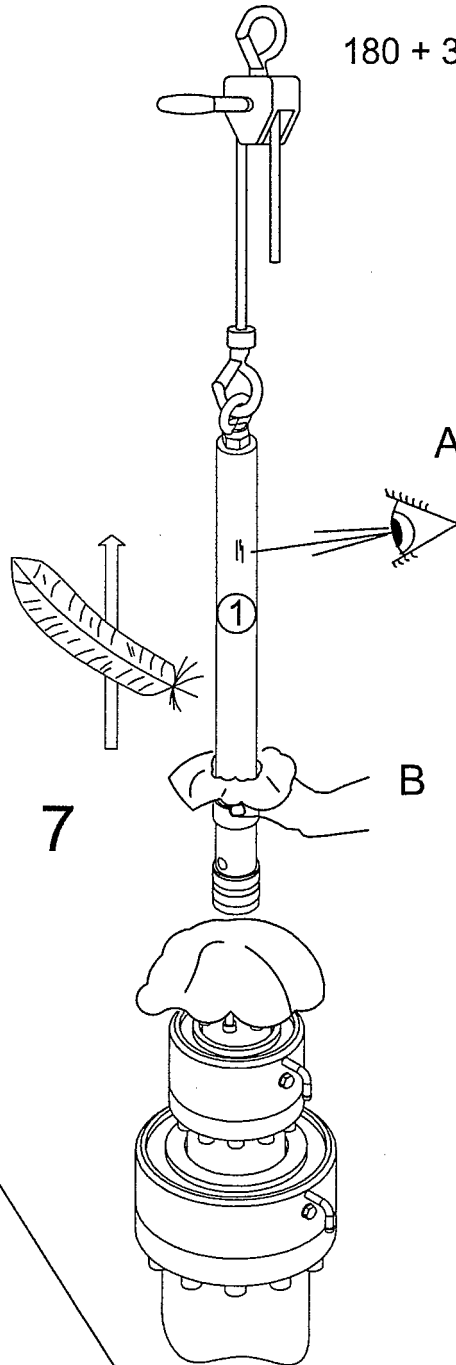
TT/JÅ

4/12

6

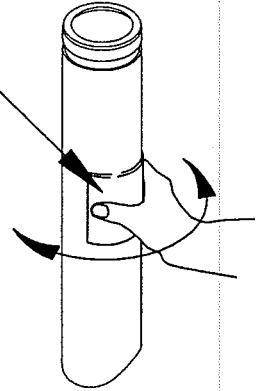


7



180 + 3M (SCOTCH BRITE)

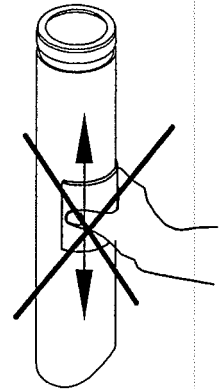
B



A

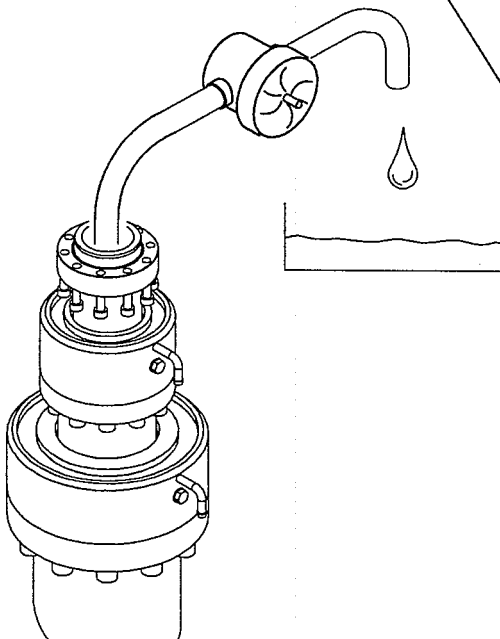


B



THIS DOCUMENT IS EXCLUSIVE
OWNERSHIP OF GMV
IT IS PROHIBITED TO REPRODUCE
OR DIVULGE IT.

8





TELESCOPIC JACK 9100,9101,9110,9111

Ompackning / Repacking / Sostituzione delle guarnizioni /
Dichtungswchsel / Wymiana uszczeltek

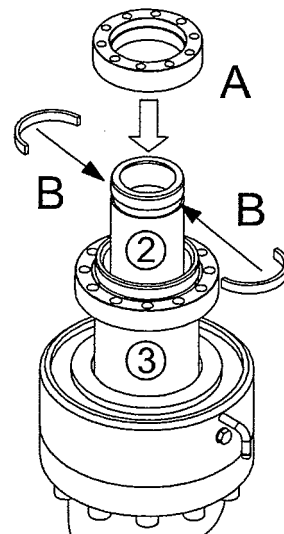
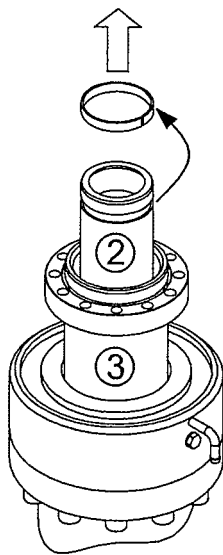
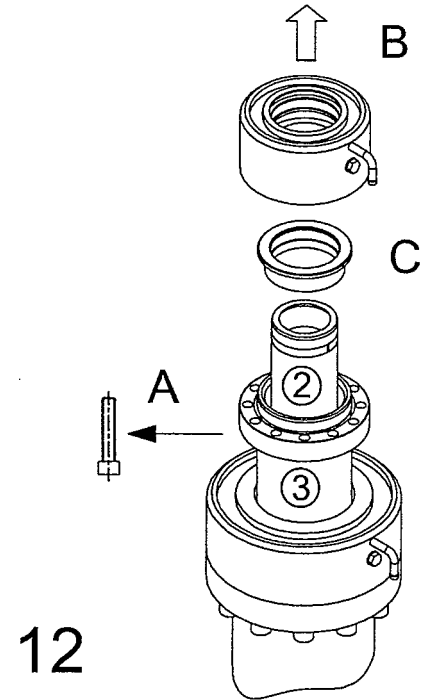
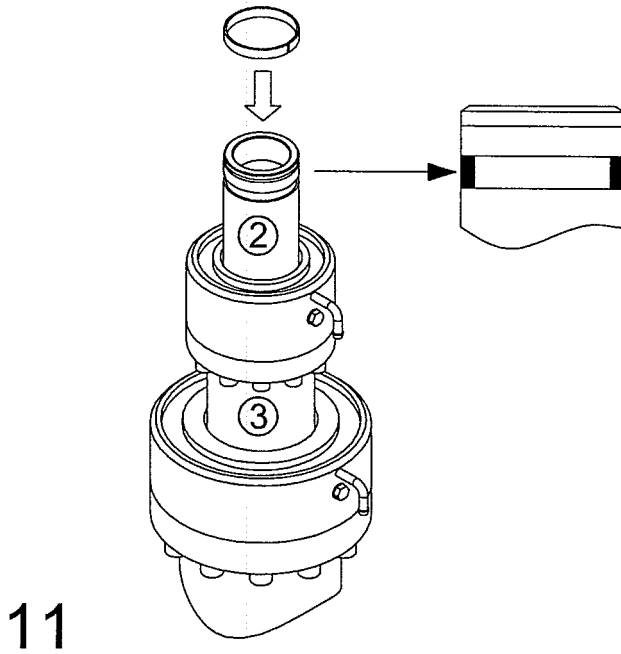
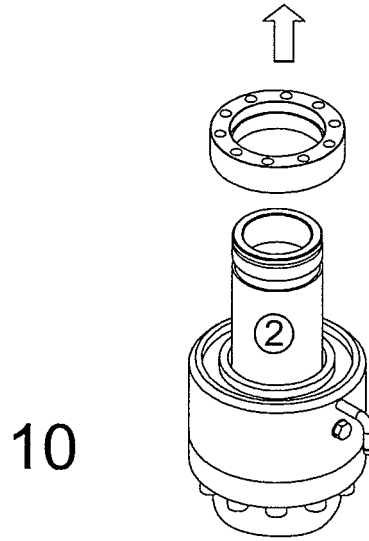
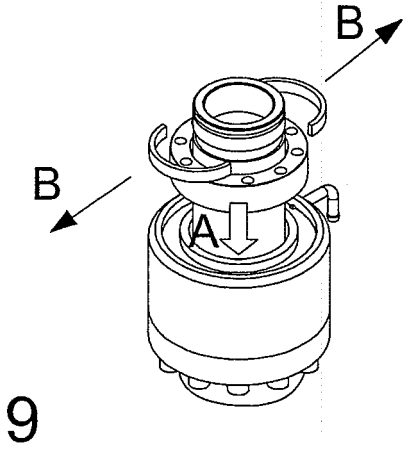
M 2:2

2005-05-25

1

TT/JÅ

5/12





TELESCOPIC JACK 9100,9101,9110,9111

Ompackning / Repacking / Sostituzione delle guarnizioni /
Dichtungswechsel / Wymiana uszczeliek

M 2:2

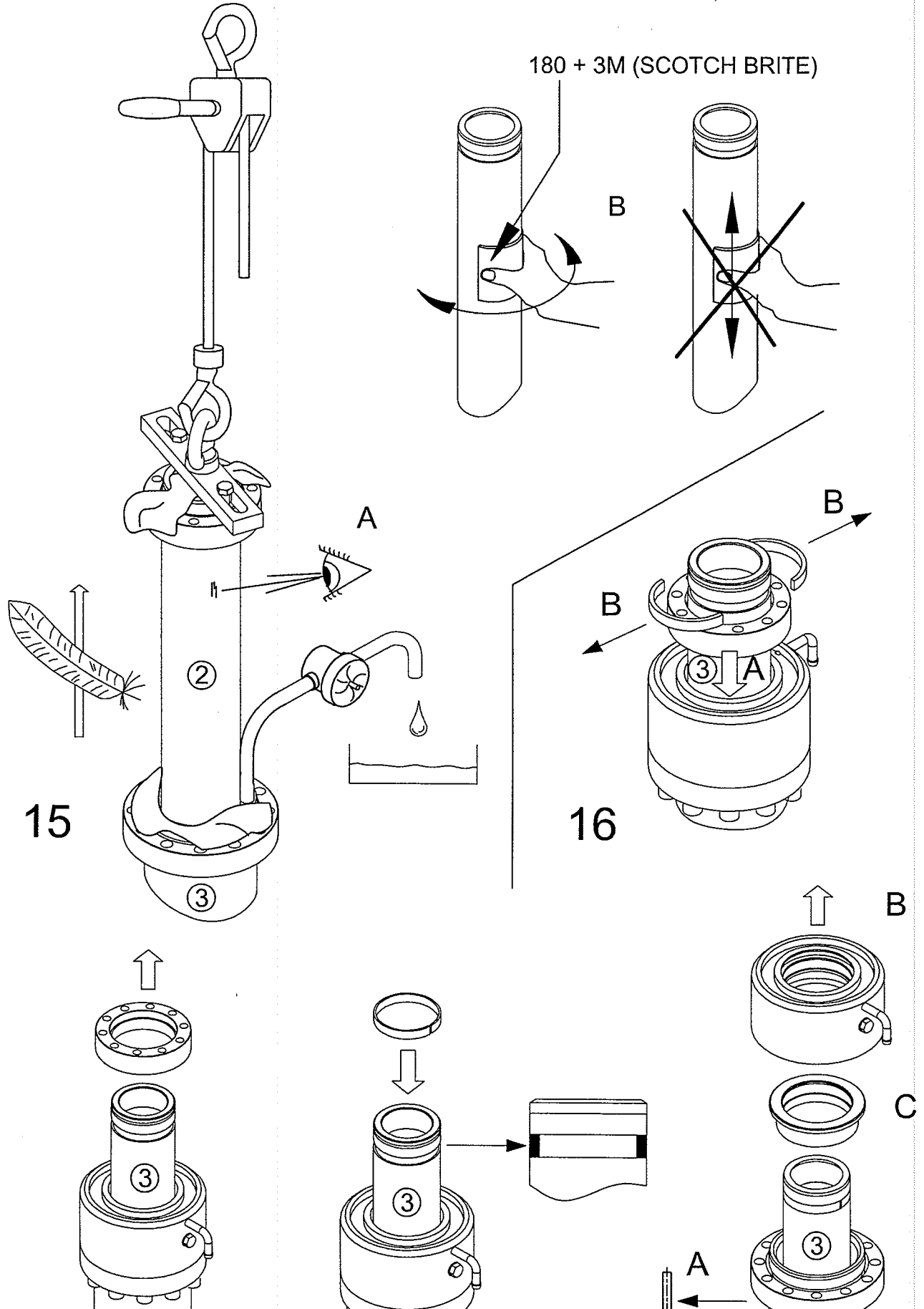
2005-05-25

1

TT/JÅ

6/12

THIS DOCUMENT IS EXCLUSIVE
OWNERSHIP OF GMV
IT IS PROHIBITED TO REPRODUCE
OR DIVULGE IT.





TELESCOPIC JACK 9100,9101,9110,9111

Ompackning / Repacking / Sostituzione delle guarnizioni /
Dichtungswechsel / Wymiana uszczeliek

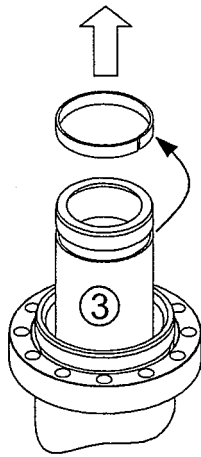
M 2:2

2005-05-25

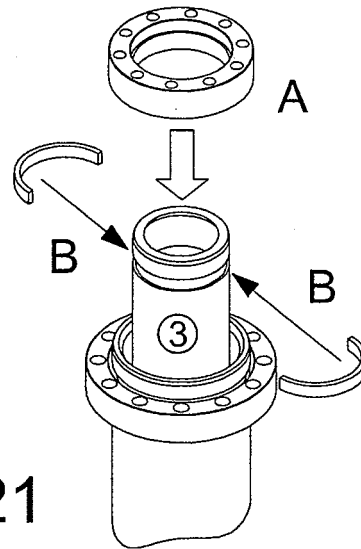
1

TT/JÅ

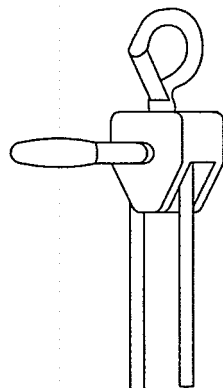
7/12



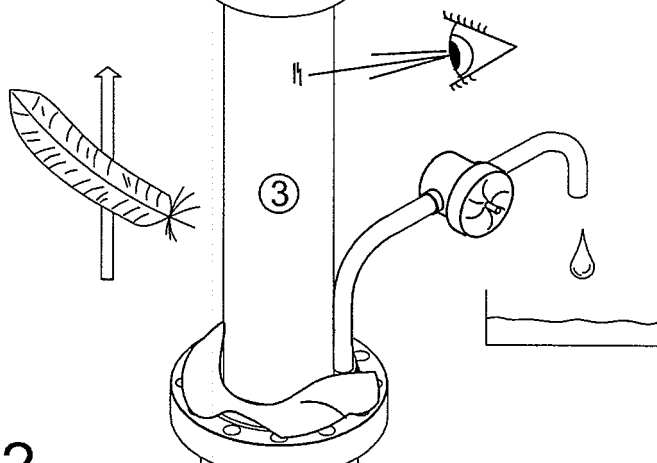
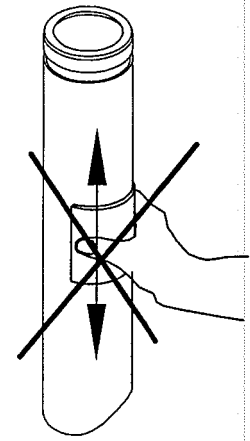
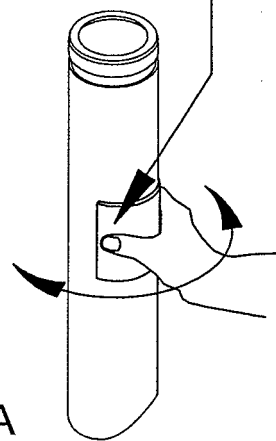
20



21



180 + 3M (SCOTCH BRITE)



22



TELESCOPIC JACK 9100,9101,9110,9111

Ompackning / Repacking / Sostituzione delle guarnizioni /
Dichtungswechsel / Wymiana uszczeliek

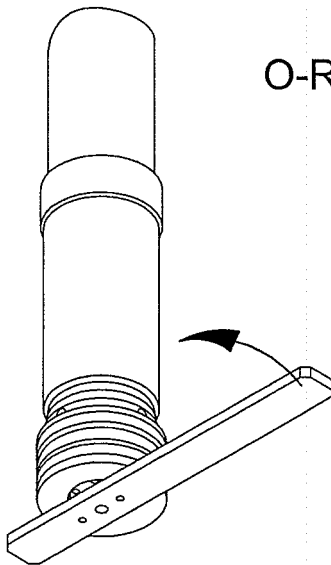
M 2:2

2005-05-25

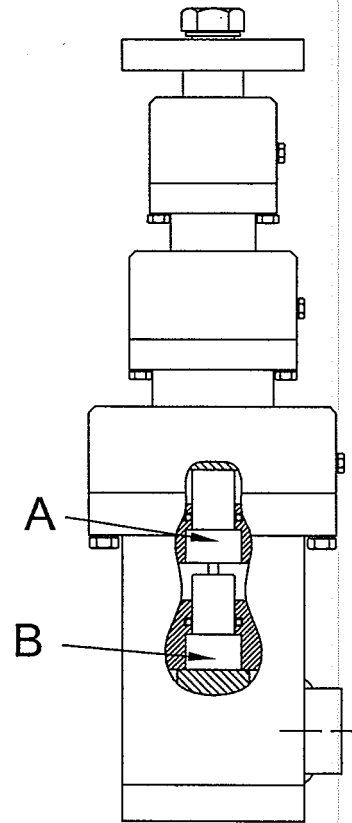
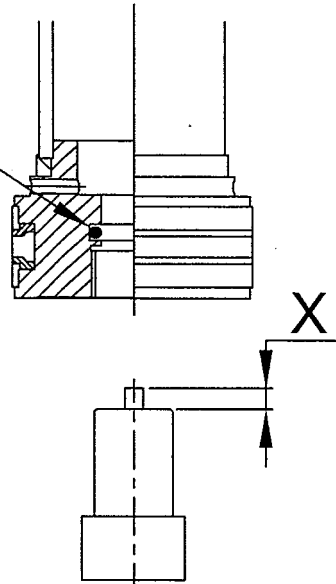
1

TT/JÅ

8/12



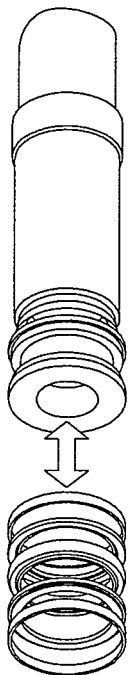
O-RING



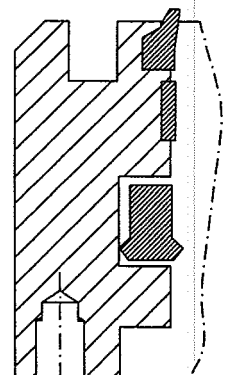
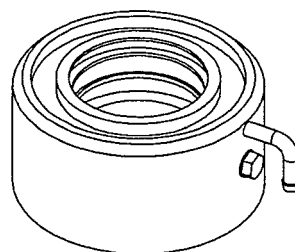
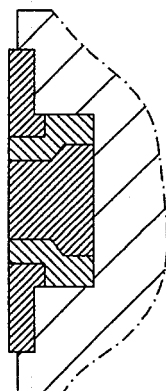
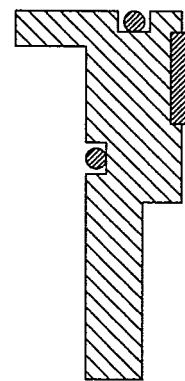
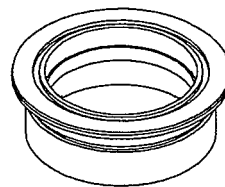
23

	A	B	B	B	B
X	0	0	10	20	25
T42C2-T100C2	1	-	-	-	-
T42C3	1	1	-	-	-
T50C3	1	-	1	-	-
T63C3	1	-	1	-	-
T70C3	1	-	-	1	-
T85C3	1	-	-	-	1
T100C3	1	-	-	-	1

THIS DOCUMENT IS EXCLUSIVE
PROPERTY OF GMV
IT IS PROHIBITED TO REPRODUCE
OR DIVULGE IT.



25





TELESCOPIC JACK 9100,9101,9110,9111

Ompackning / Repacking / Sostituzione delle guarnizioni /
Dichtungswechsel / Wymiana uszczeliek

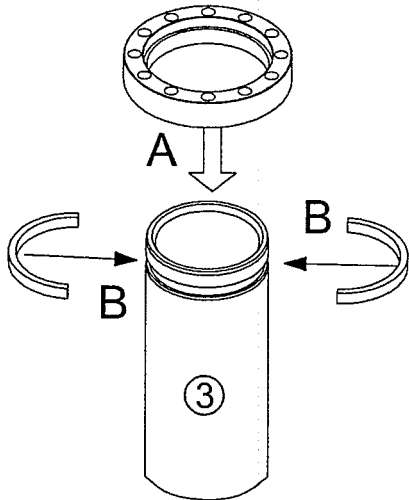
M 2:2

2005-05-25

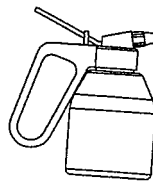
1

TT/JÄ

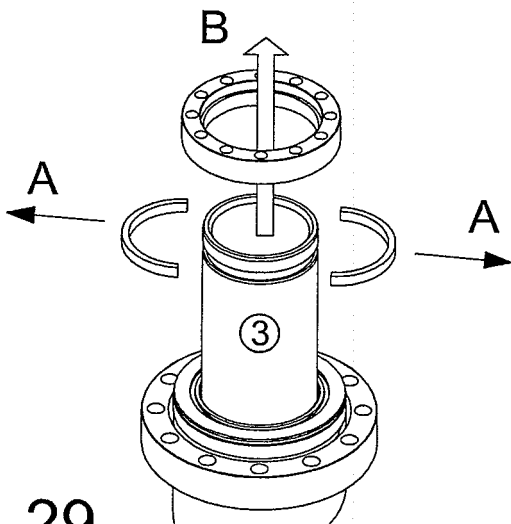
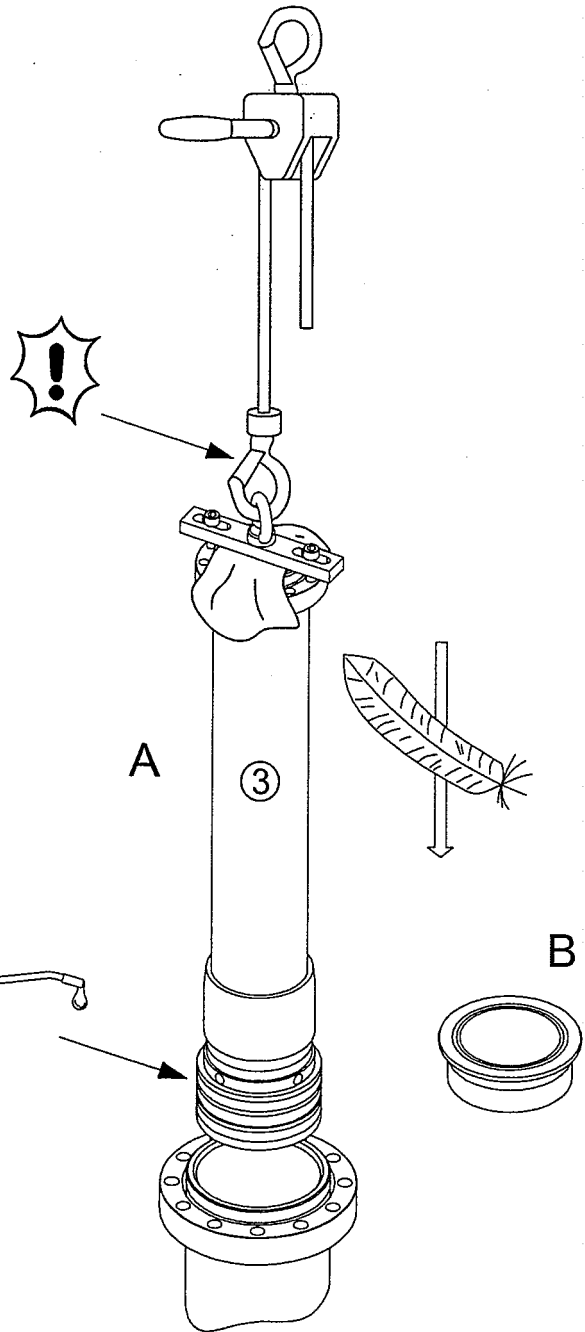
9/12



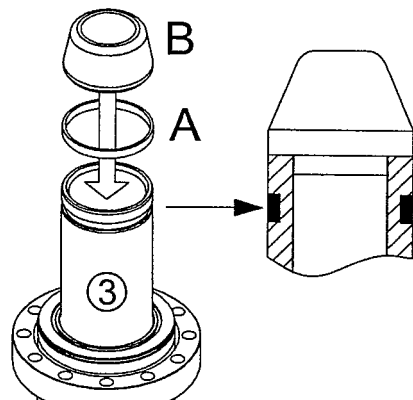
27



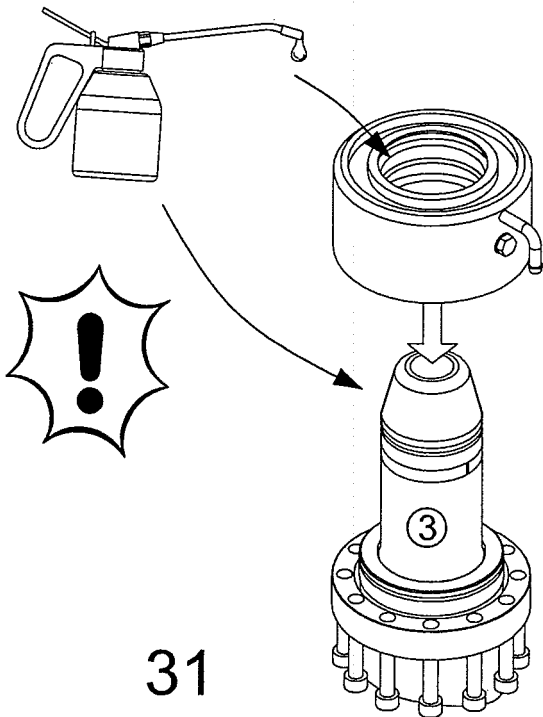
28



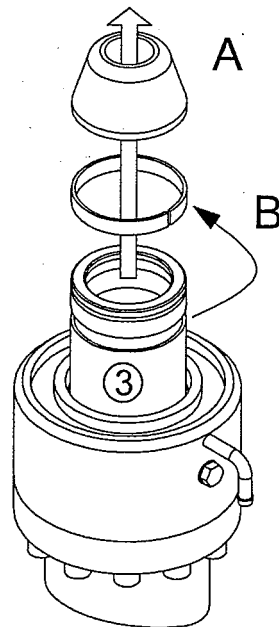
20



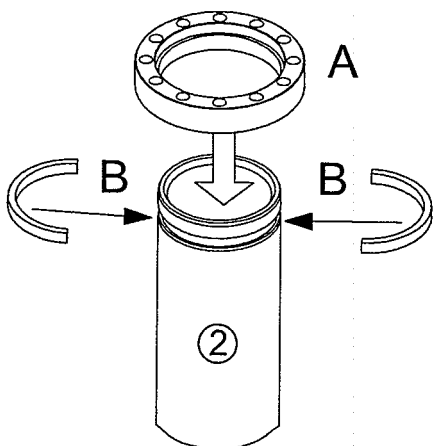
20



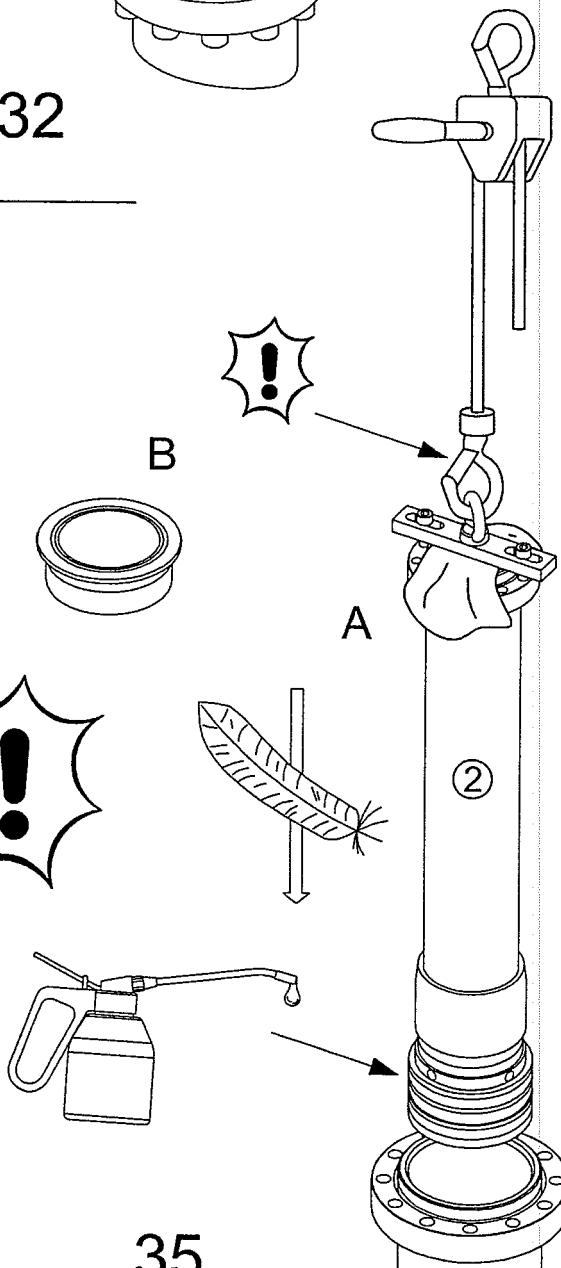
31



32



33



35



TELESCOPIC JACK 9100,9101,9110,9111

Ompackning / Repacking / Sostituzione delle guarnizioni /
Dichtungswechsel / Wymiana uszczeliek

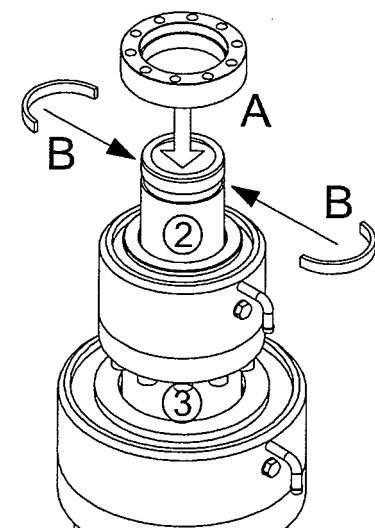
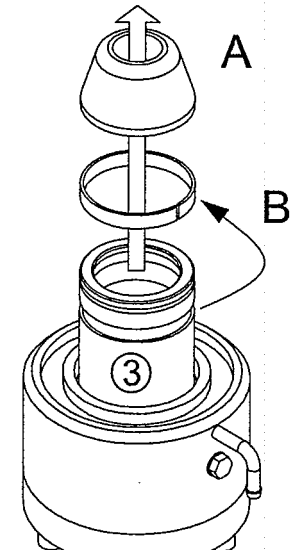
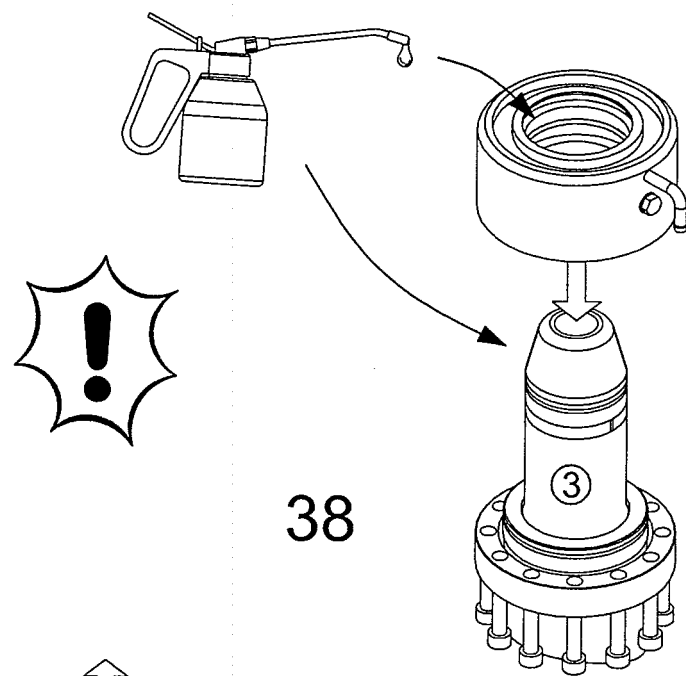
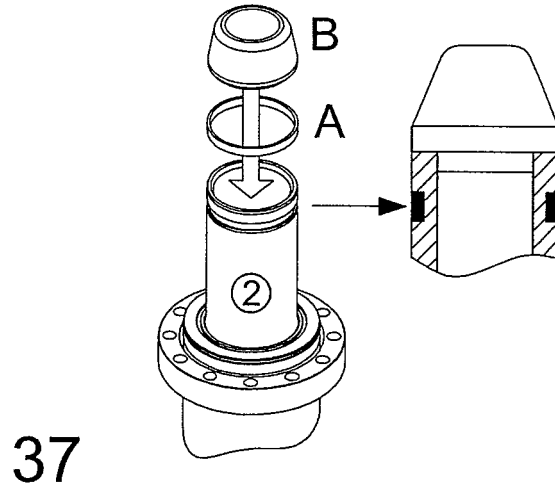
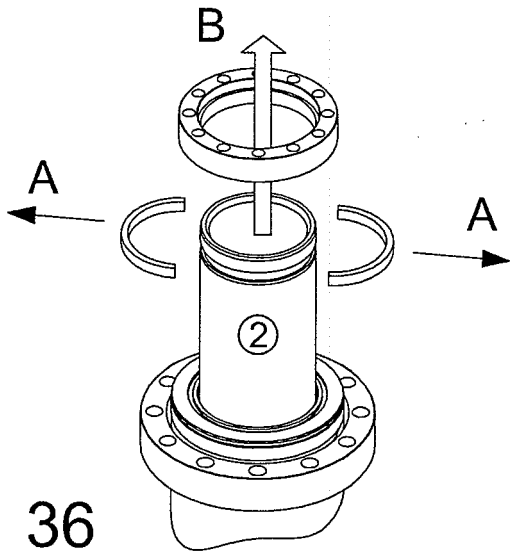
M 2:2

2005-05-25

1

TT/JÄ

11/12



THIS DOCUMENT IS EXCLUSIVE
OWNERSHIP OF GMV
IT IS PROHIBITED TO REPRODUCE
OR DIVULGE IT.

39

40



TELESCOPIC JACK 9100,9101,9110,9111

Ompackning / Repacking / Sostituzione delle guarnizioni /
Dichtungswechsel / Wymiana uszczeliek

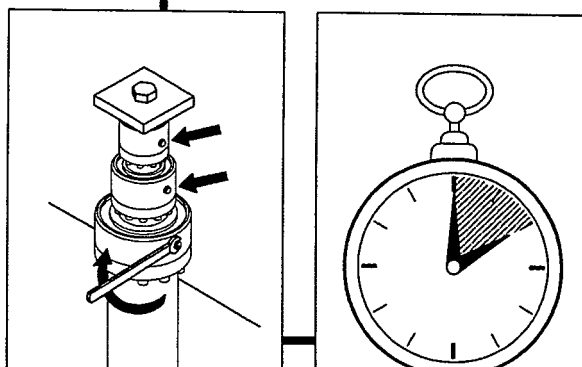
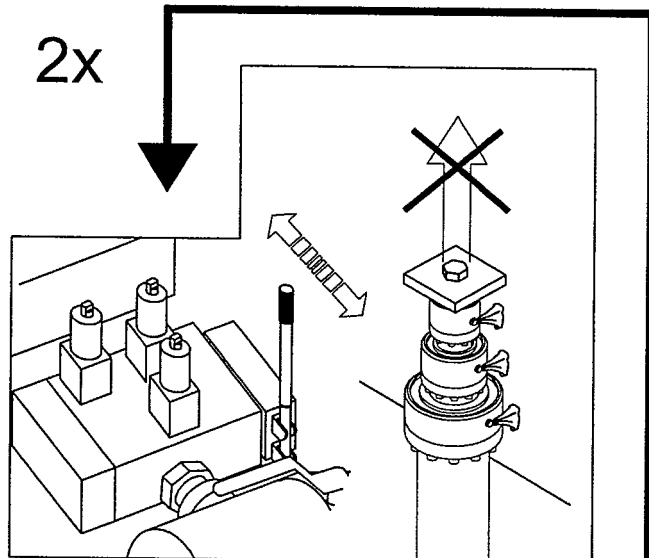
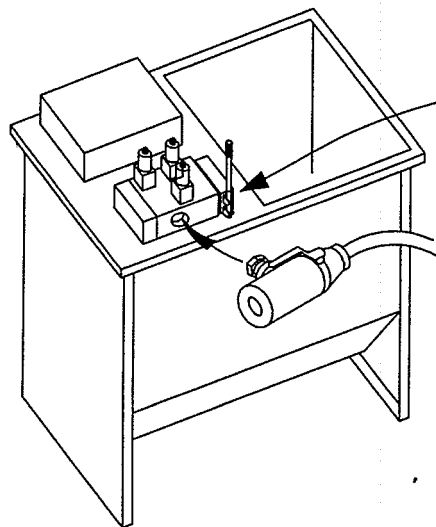
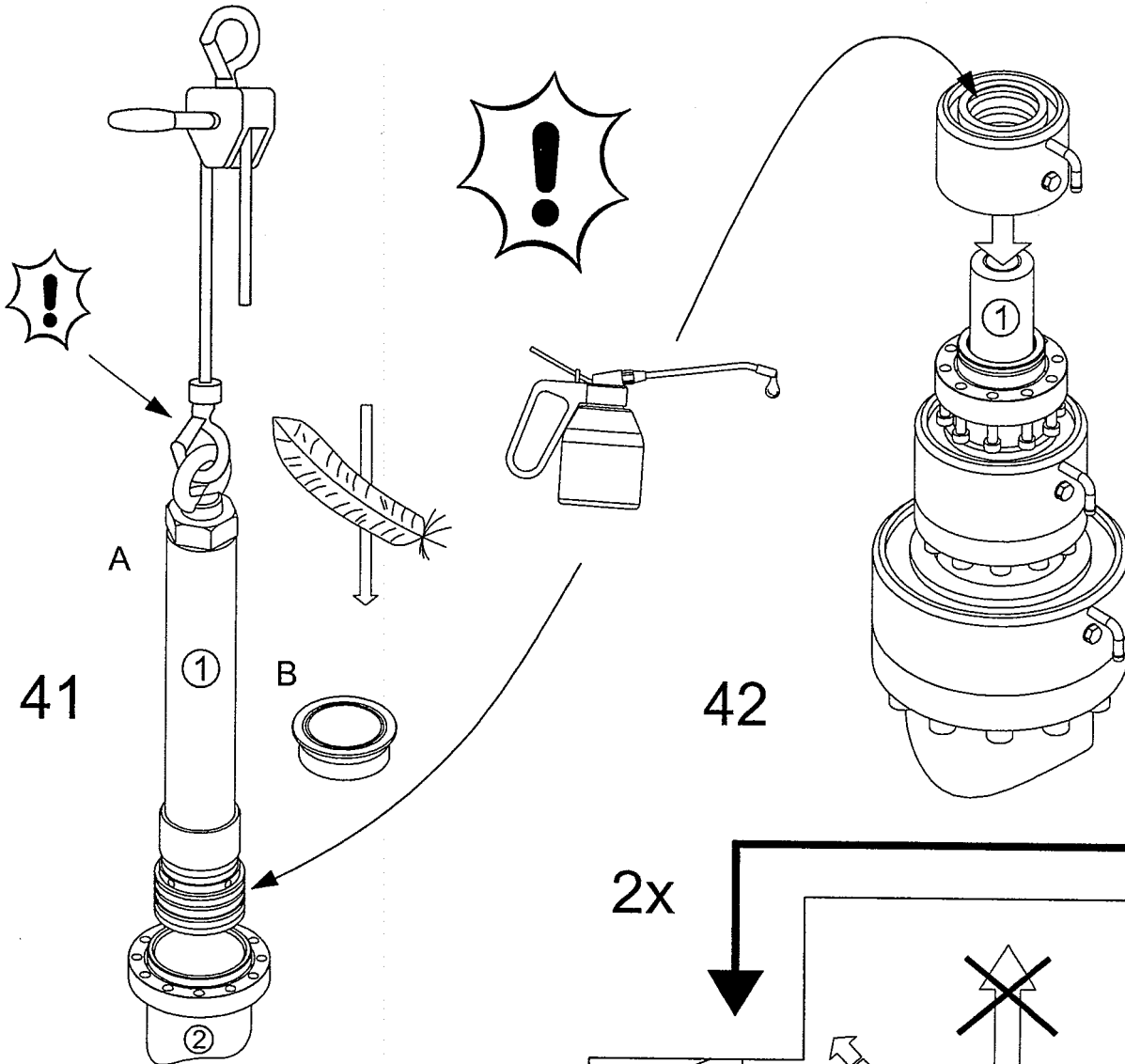
M 2:2

2005-05-25

1

TT/JÄ

12/12



THIS DOCUMENT IS EXCLUSIVE
OWNERSHIP OF GMV
IT IS PROHIBITED TO REPRODUCE
OR DIVULGE IT.